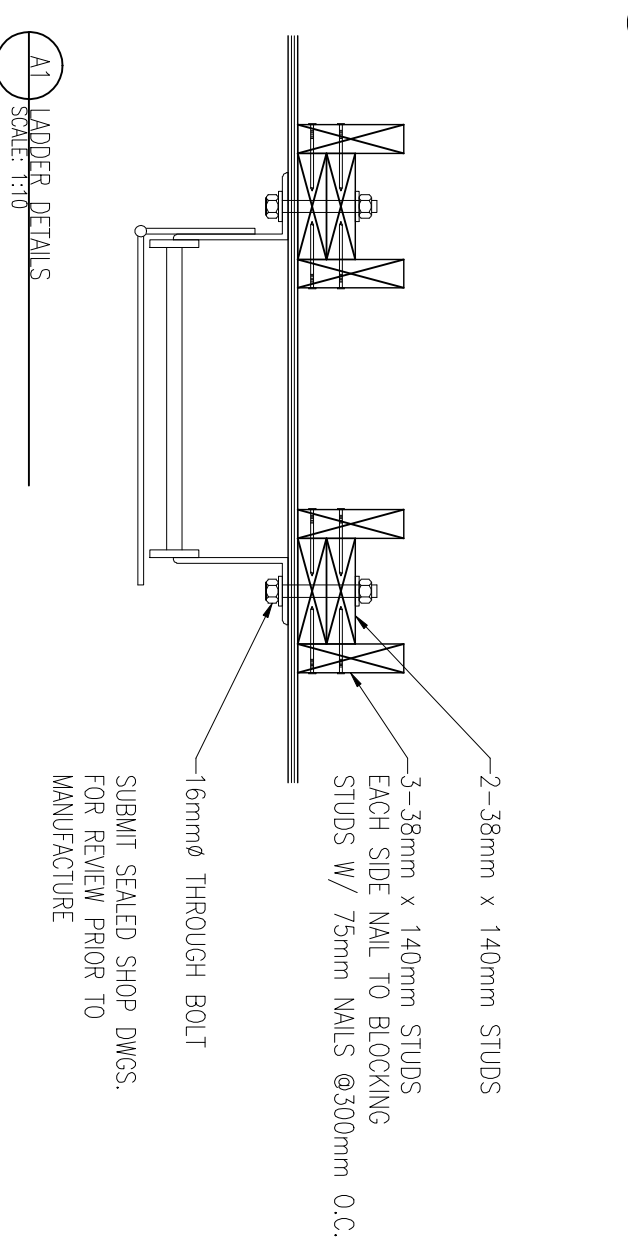
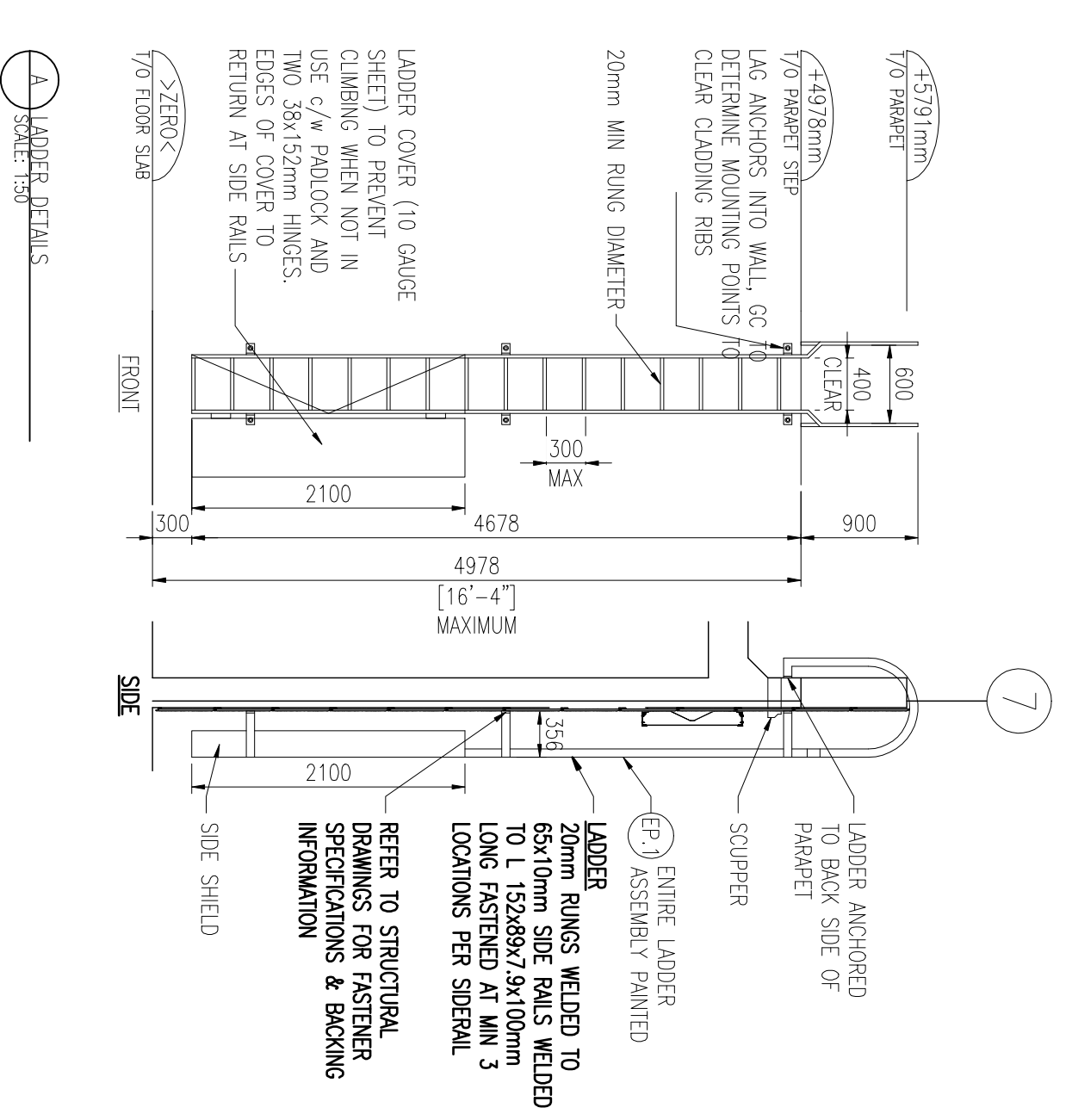
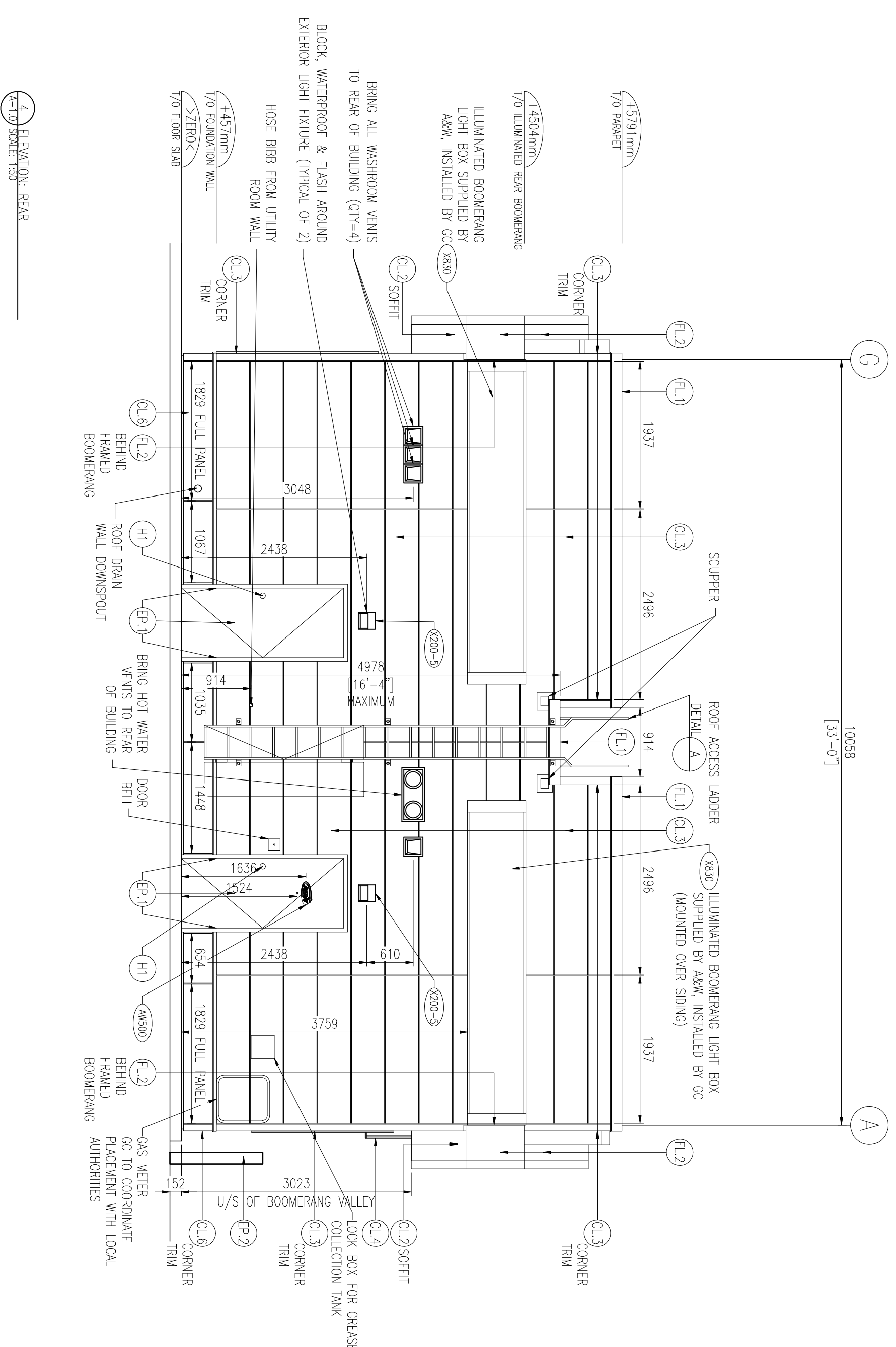


NOTES:
 1. SEE DRAWING A-50 FOR EQUIPMENT SCHEDULE
 2. SEE DRAWING A-50 FOR EXTERIOR FINISH SCHEDULE



No.	Description	Date
1	ISSUED TO PROJECT ARCHITECT	15.10.20
2	ISSUED FOR PERMIT & CONSTRUCTION	16.04.22
3	PROGRESS SET	16.03.18
4	PROGRESS SET	16.02.19

REVISIONS	
1	THE DRAWING IS THE PROPERTY OF A&W FOOD SERVICES OF CANADA INC. ANY PROJECT OTHER THAN THAT REQUESTED HEREIN IS PROHIBITED WITHOUT THE WRITTEN AUTHORIZATION OF A&W FOOD SERVICES OF CANADA INC. ANY REVISIONS TO THIS DRAWING MUST BE APPROVED BY THE OWNER & A&W FOOD SERVICES OF CANADA INC. ANY REVISIONS TO THIS DRAWING MUST BE APPROVED BY THE OWNER & A&W FOOD SERVICES OF CANADA INC. IN ADDITION TO OTHER CHANGES & VARIATIONS, IN ADDITION TO OTHER CHANGES & VARIATIONS.

RNF VENTURES LTD.
 7780 MIDLAND AVENUE, SUITE 200
 RICHMOND, ONTARIO L4B 1L1
 TEL: 905-709-4422
 FAX: 905-709-4423
 WWW.RNFVENTURES.COM

AKASHI CONSULTING ENGINEERS
 7780 MIDLAND AVENUE, SUITE 200
 RICHMOND, ONTARIO L4B 1L1
 TEL: 905-709-4422
 FAX: 905-709-4423
 WWW.AKASHIENGINEERS.COM

A&W FOOD SERVICES OF CANADA INC.
 2170, (2015 Y1.1) A9 - BUILDING

PROJECT:
 2015 GRANG CONCEPT DESIGN*
 11401 PALLWAY AVE
 NORTH BAYVILLE, ONT. L4R 1G8

Project Number: 2170 (2015 Y1.1)
 Drawing Title: EXTERIOR ELEVATIONS & DETAILS
 Drawing Number: A-6.0
 Date: 2016.09.03