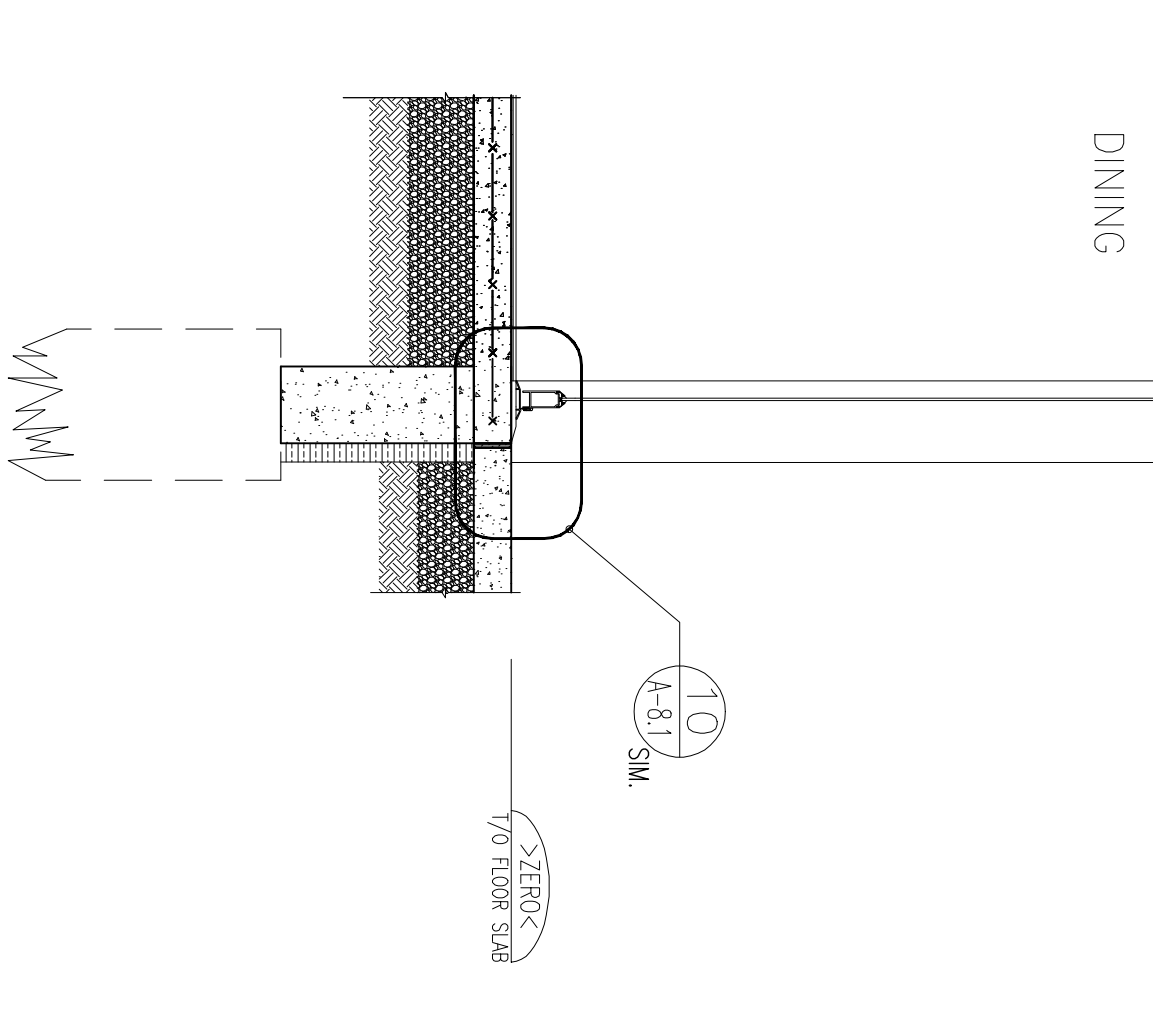
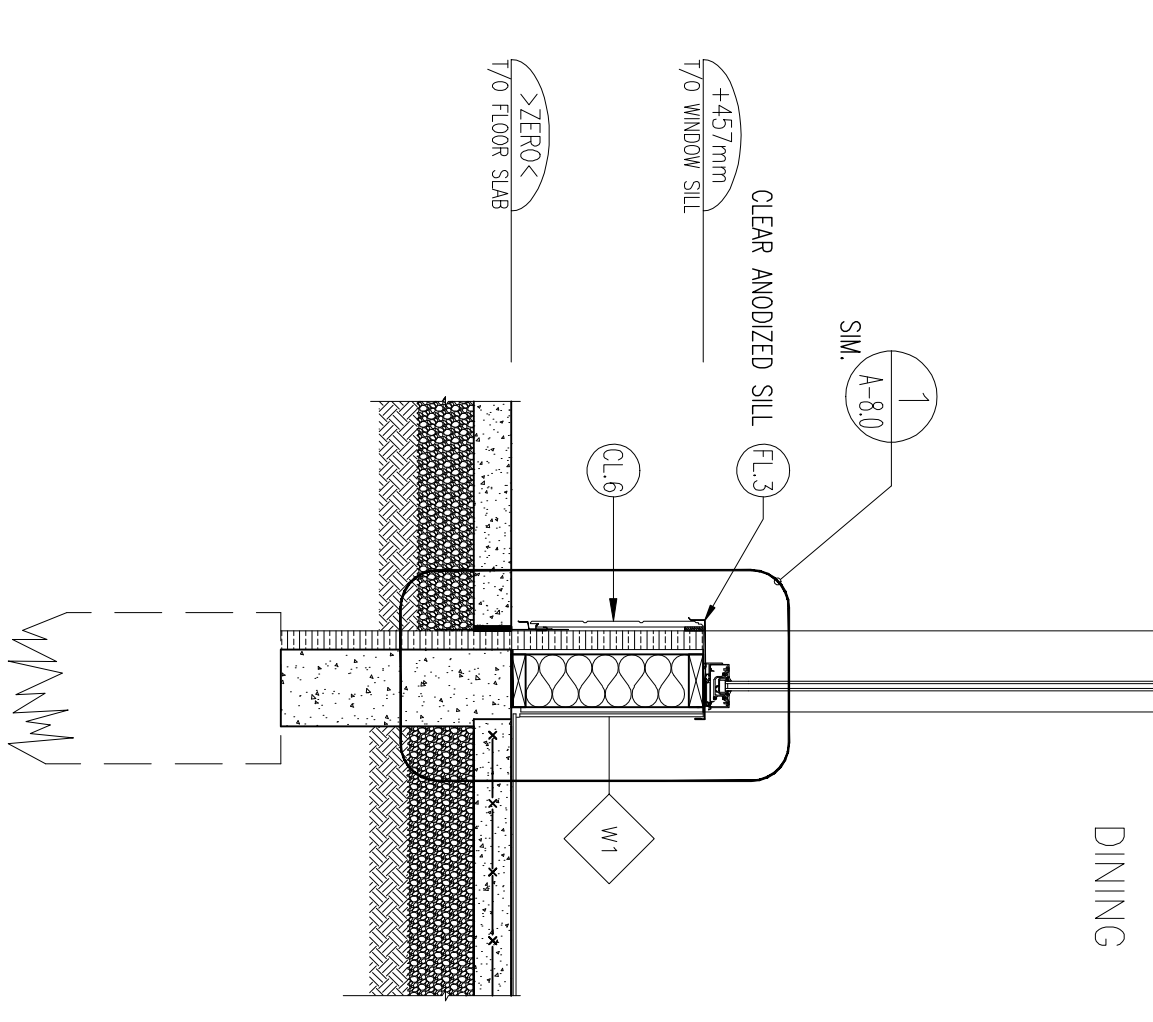
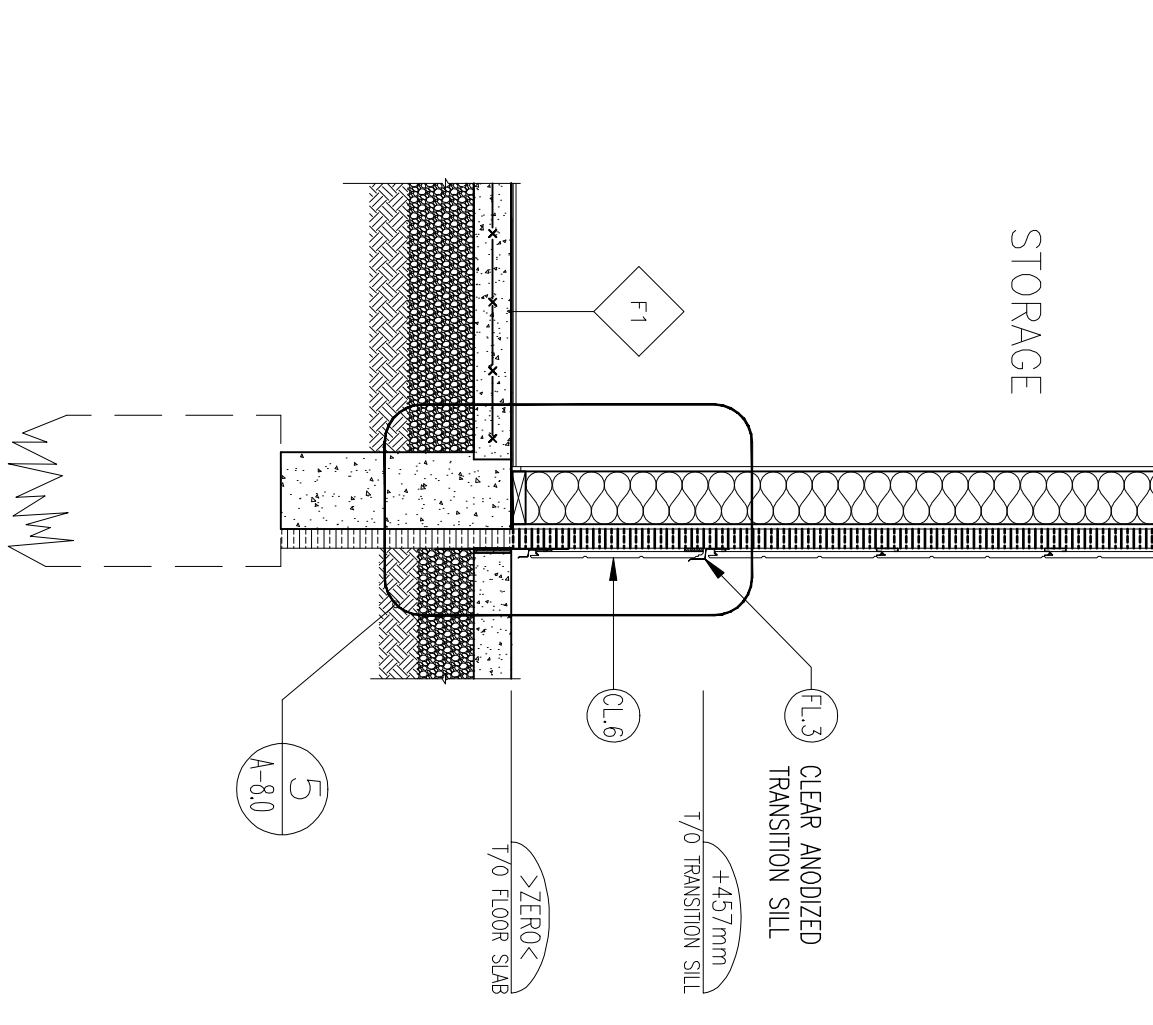
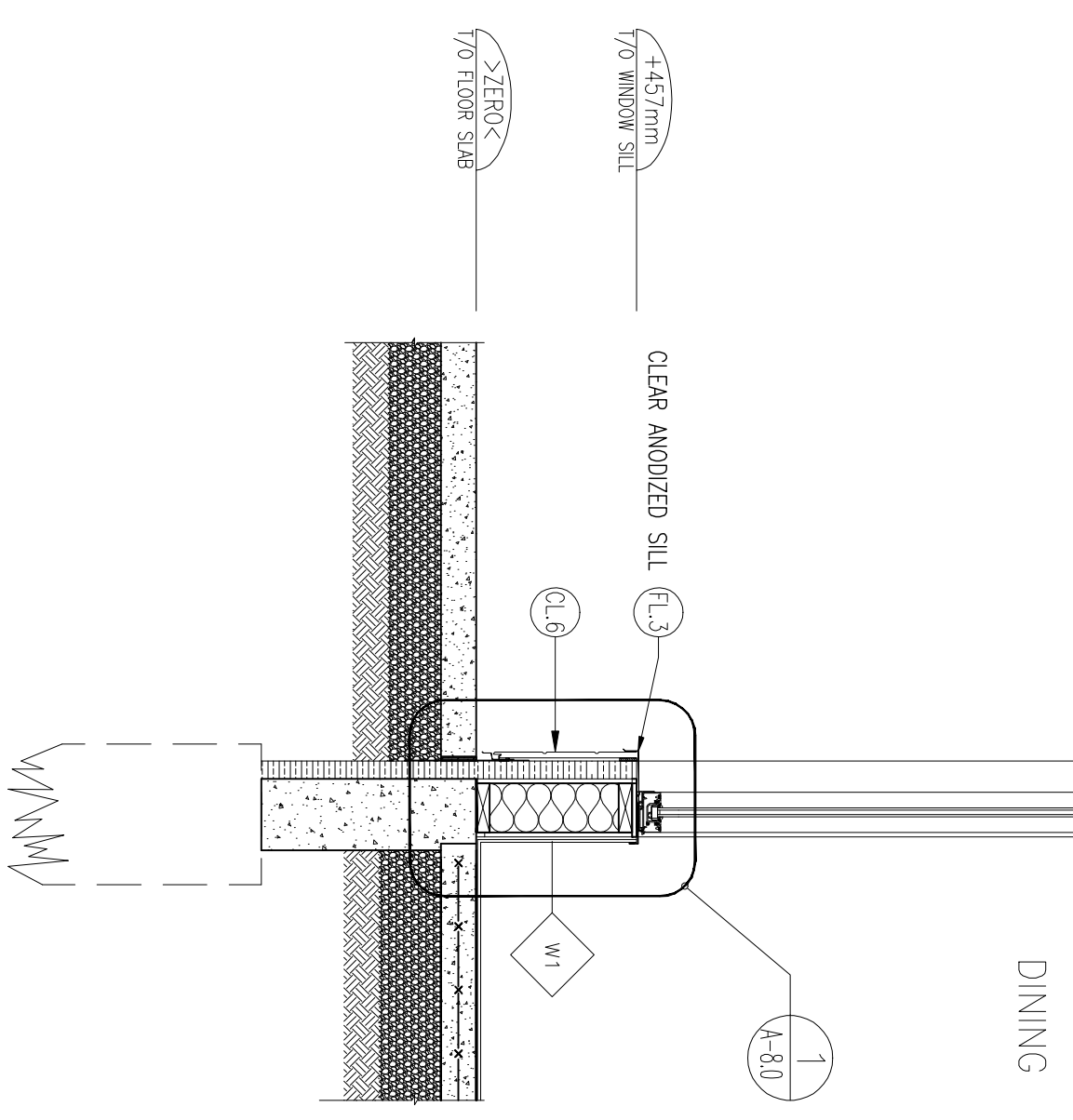
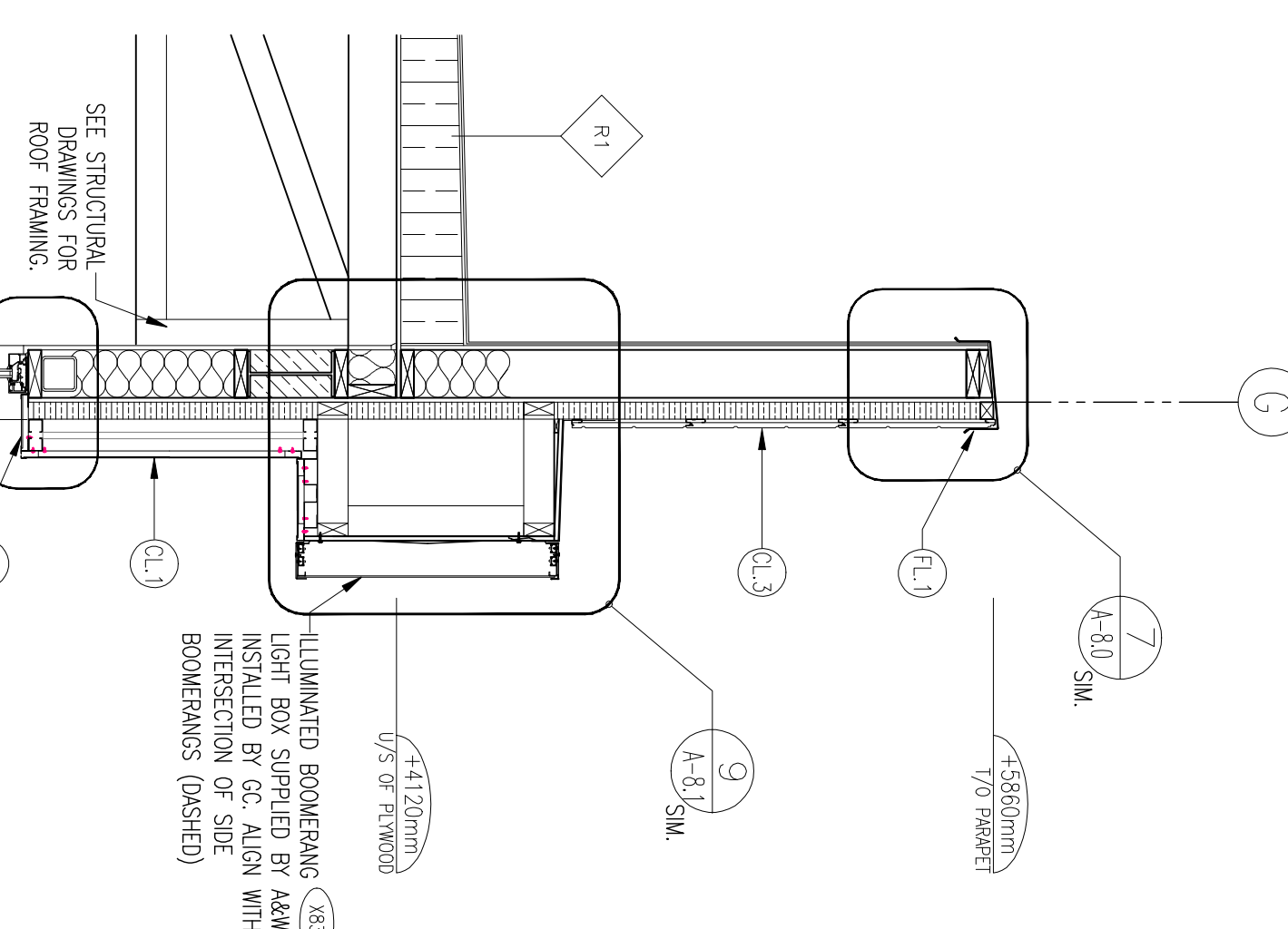
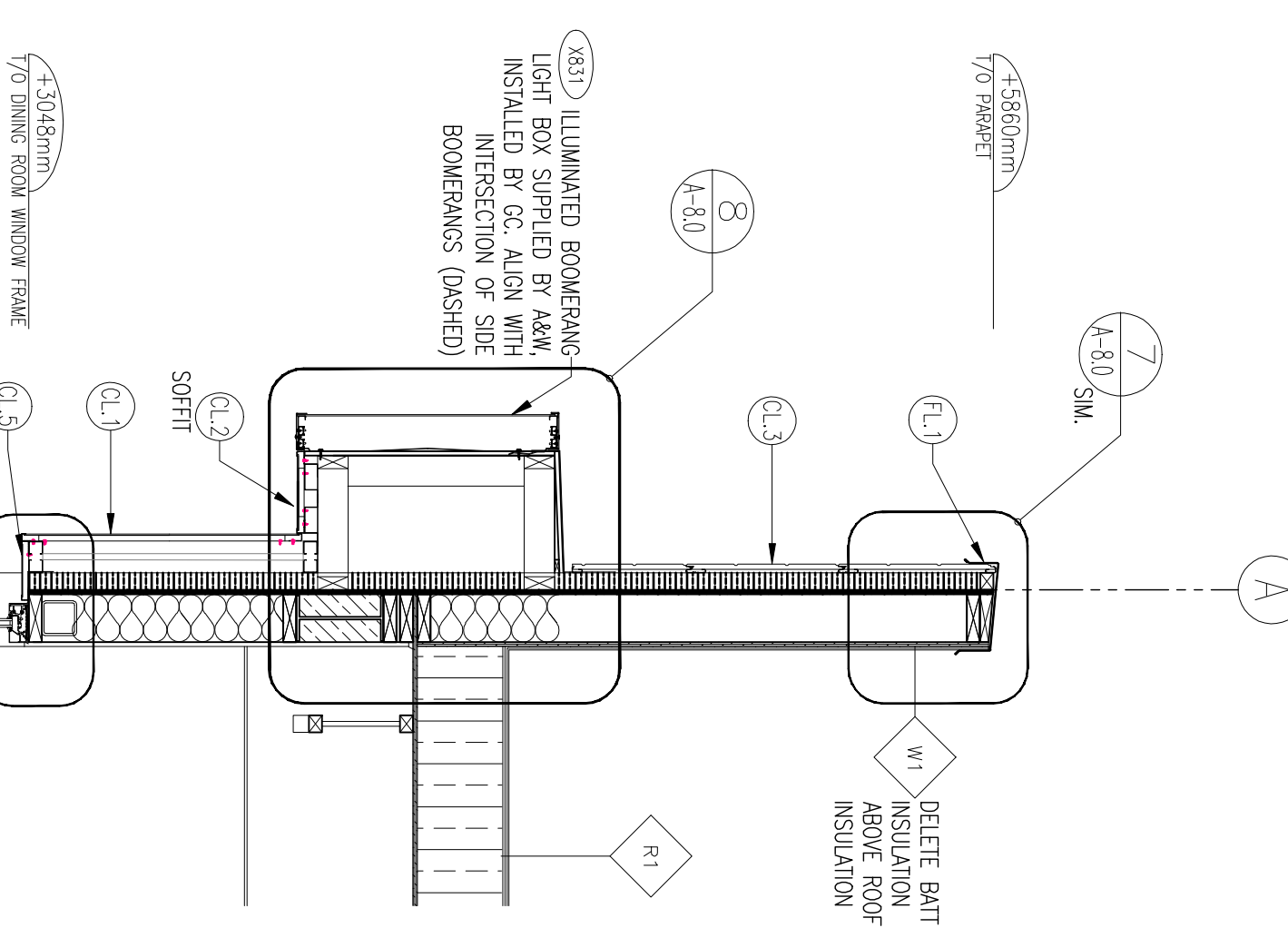
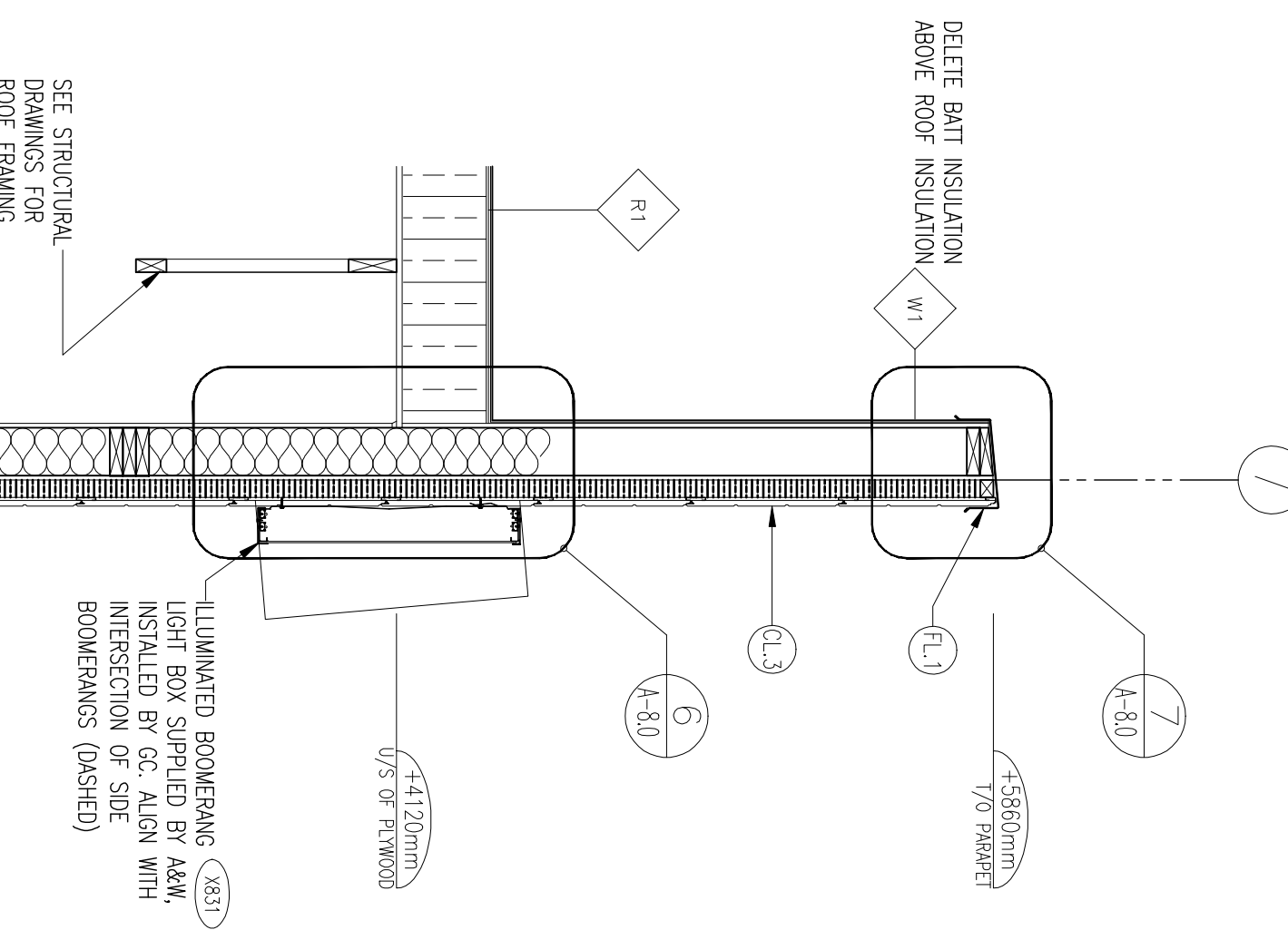
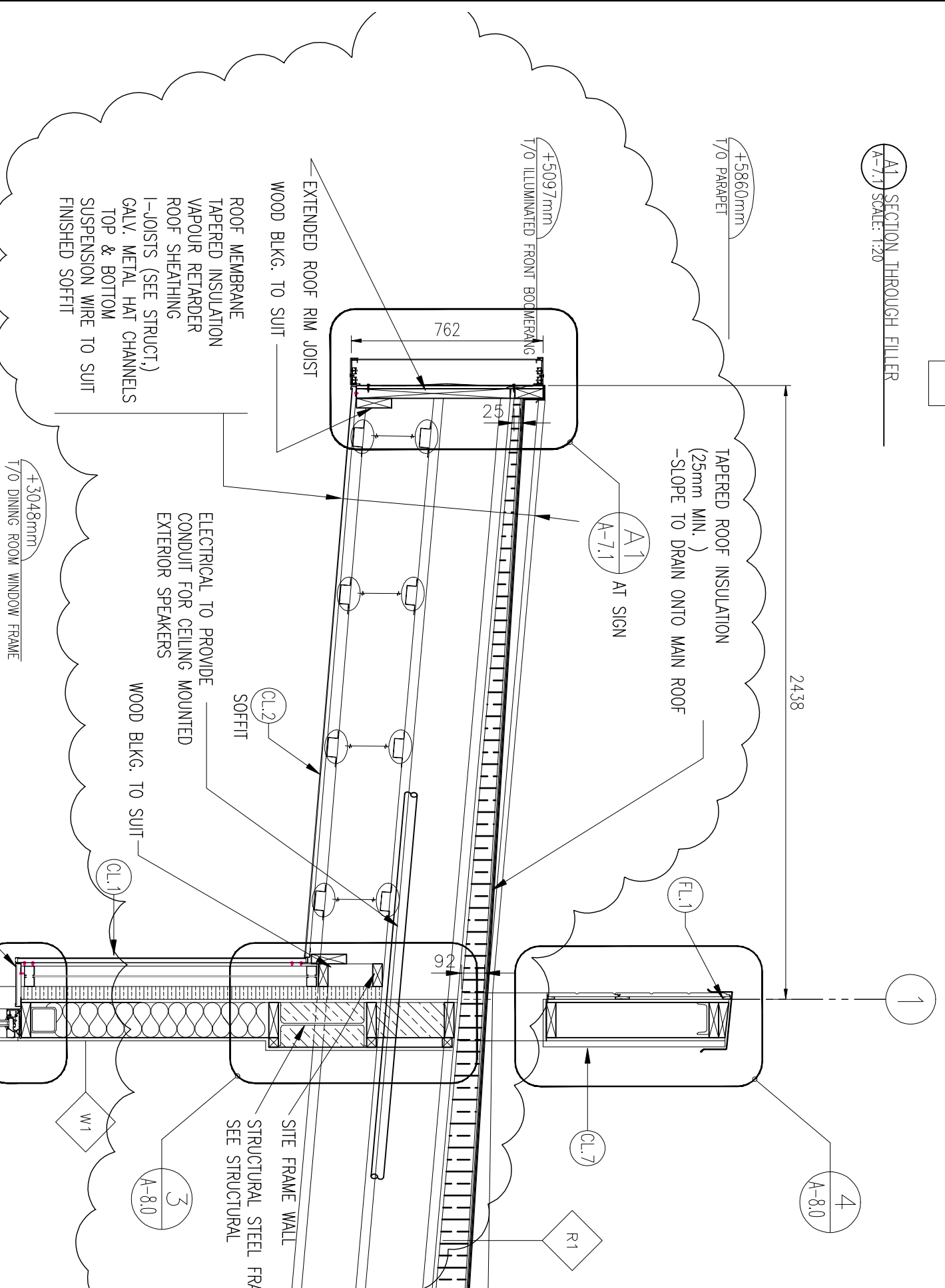


A-A SECTION THROUGH FILTER
SCALE: 1/20



NO.	DESCRIPTION	DATE
1	ISSUED TO PROJECT ARCHITECT	15.10.20
2	ISSUED FOR PERMIT & CONSTRUCTION	16.04.22
3	90% PROGRESS SET	16.03.18
4	50% PROGRESS SET	16.02.19

REVISIONS	
1	THE DRAWING IS THE PROPERTY OF A&W FOOD SERVICES OF CANADA INC. ANY PROJECT OTHER THAN THAT REQUESTED DESIGN OR CONSTRUCTION THEREOF WITHOUT THE WRITTEN PERMISSION OF A&W FOOD SERVICES OF CANADA INC. IS STRICTLY PROHIBITED.
2	FOR THE PURPOSES OF THIS DRAWING, THE CONTRACTOR SHALL BE RESPONSIBLE FOR OBTAINING ALL NECESSARY PERMITS AND ALL DISCREPANCIES TO THE OWNER'S AND ARCHITECT'S DRAWINGS SHALL BE THE RESPONSIBILITY OF THE CONTRACTOR.
3	THE CONTRACTOR SHALL BE RESPONSIBLE FOR OBTAINING ALL NECESSARY PERMITS AND ALL DISCREPANCIES TO THE OWNER'S AND ARCHITECT'S DRAWINGS SHALL BE THE RESPONSIBILITY OF THE CONTRACTOR.
4	ALL WORK SHALL BE DONE IN ACCORDANCE WITH THE CANADIAN CODES, STANDARDS, AND WITH RESPECT TO THE ADDITIONAL NOTES AND SPECIFICATIONS.

RNF VENTURES LTD.
 1100 BAYVIEW AVE. SUITE 200
 SCARBOROUGH, ONTARIO M1B 2Y9
 TEL: (416) 291-2200
 FAX: (416) 291-2200
 WWW.RNFVENTURES.COM

PAKASHI ENGINEERING ARCHITECTS
 7000 SHEPPARD AVENUE EAST SUITE 100
 SCARBOROUGH, ONTARIO M1S 1T6
 TEL: (416) 291-1111
 FAX: (416) 291-1112
 WWW.PAKASHI.COM

AGW
 A&W FOOD SERVICES OF CANADA INC.
 1100 BAYVIEW AVE. SUITE 200
 SCARBOROUGH, ONTARIO M1B 2Y9
 TEL: (416) 291-2200
 FAX: (416) 291-2200
 WWW.AGW.COM

AAW RESTAURANT
 2015 GFMFG CONCEPT DESIGN
 11401 RAILWAY AVE.
 NORTH BATTLEFORD, SK

WALL SECTIONS

217RL (2015 V1.1) A7D - A82 DWG
 DATE: 2015 OCTOBER 30
 PROJECT: 2015 GFMFG CONCEPT DESIGN
 PROJECT NUMBER: 4084
 DATE: 2015 OCTOBER 30
 SCALE: 1:20

217RL (2015 V1.1)
 OCTOBER 30, 2015
 217RL (2015 V1.1)
 4084
 2015 OCT 30
 1:20

A-7.1