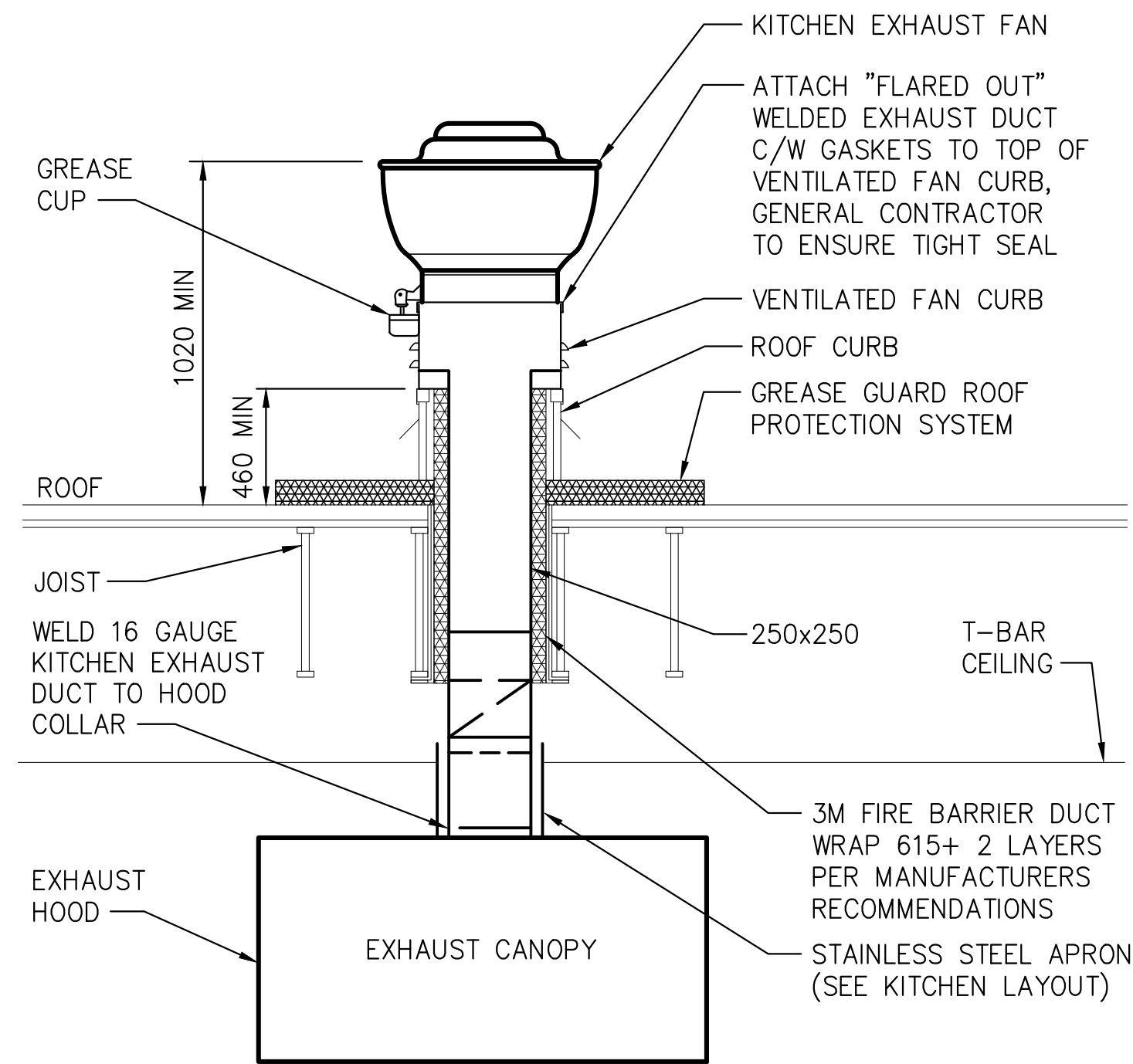


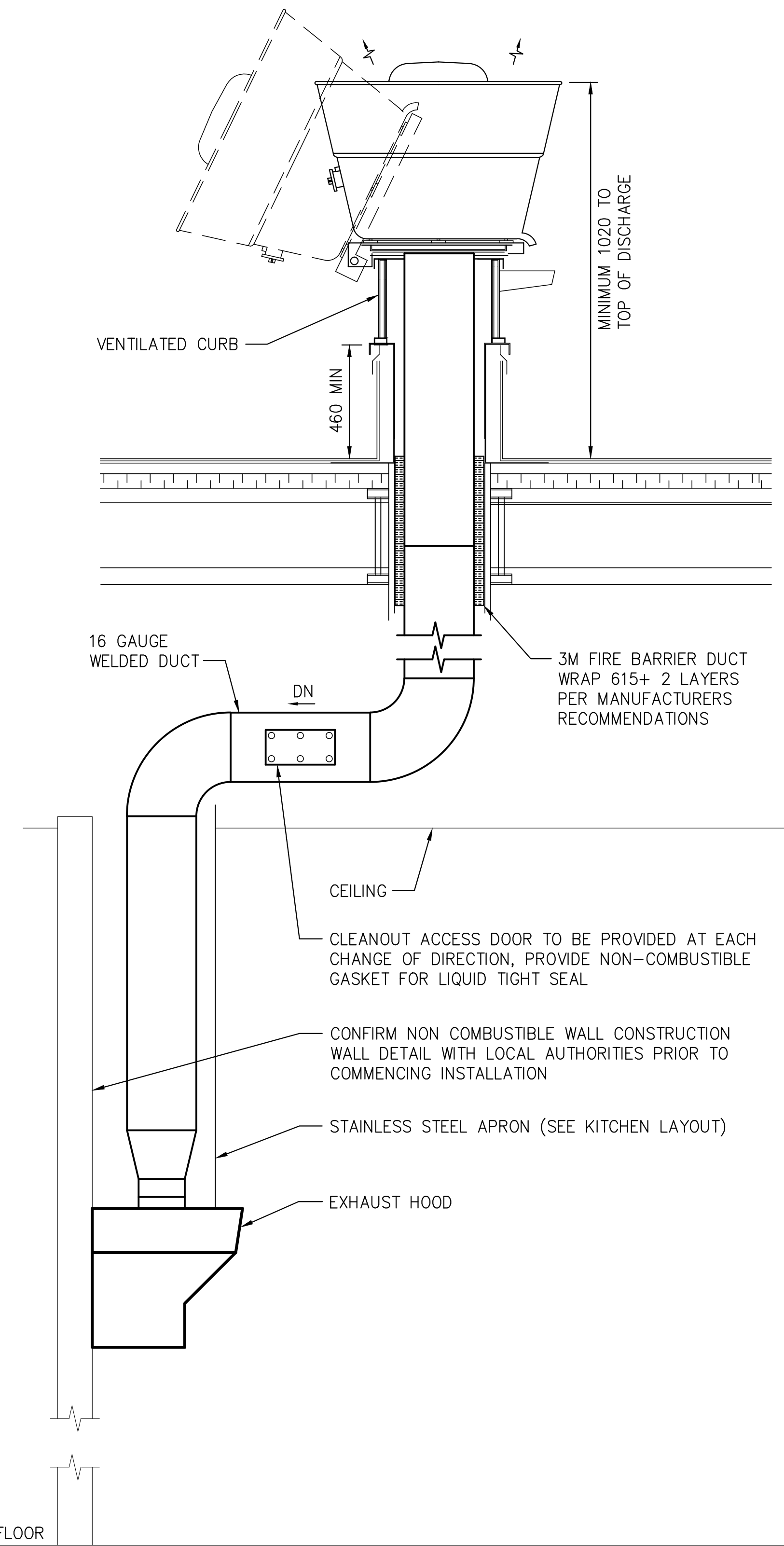
CEILING DIFFUSER
SCALE: NONE

4



KITCHEN EXHAUST FAN AND DUCT CONNECTION
SCALE: NONE

2

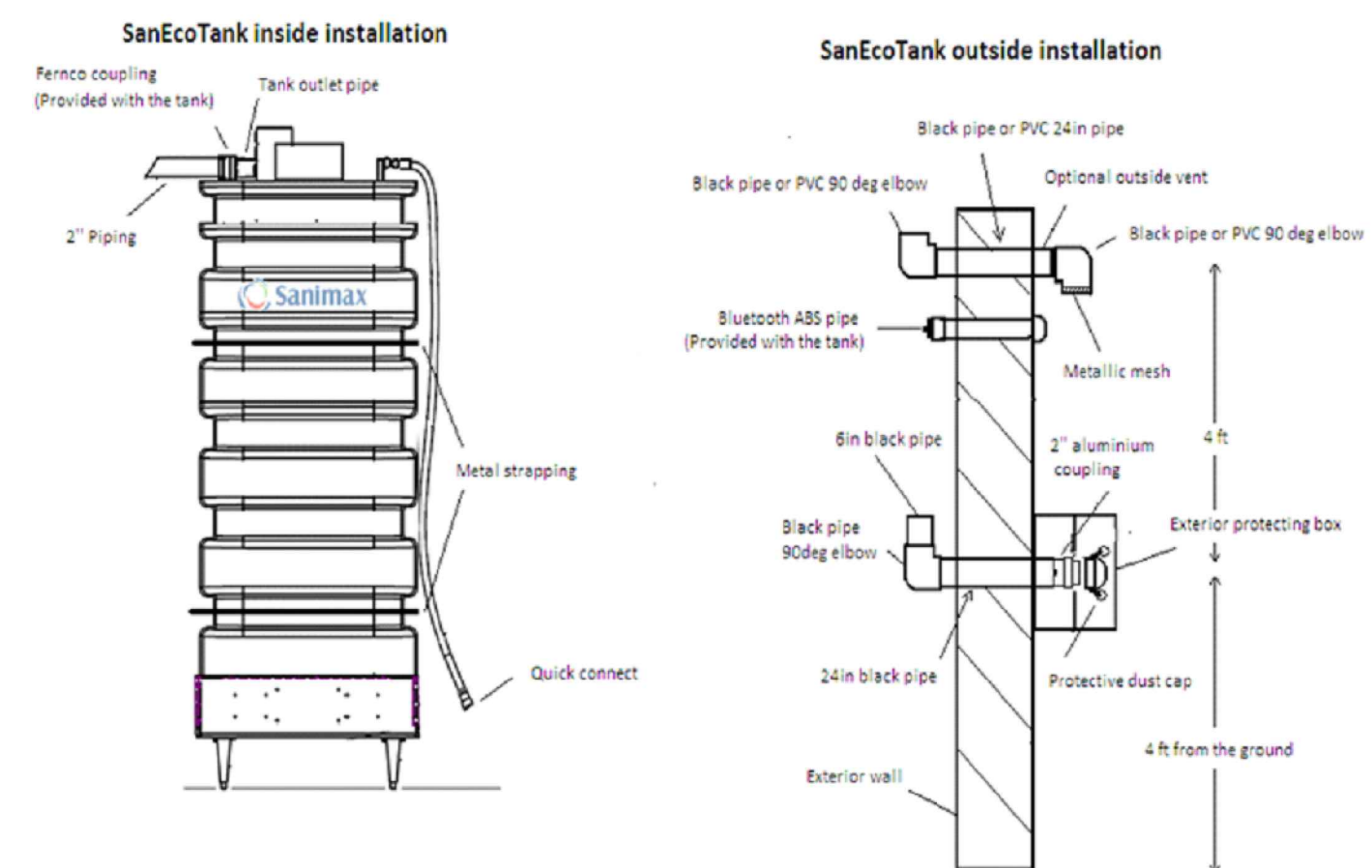


NOTES:

- EXHAUST FAN TO BE LOCATED A MINIMUM OF 10 FEET AWAY FROM ALL FRESH AIR INTAKE POSITIONS.

KITCHEN EXHAUST SYSTEM
SCALE: NONE

1

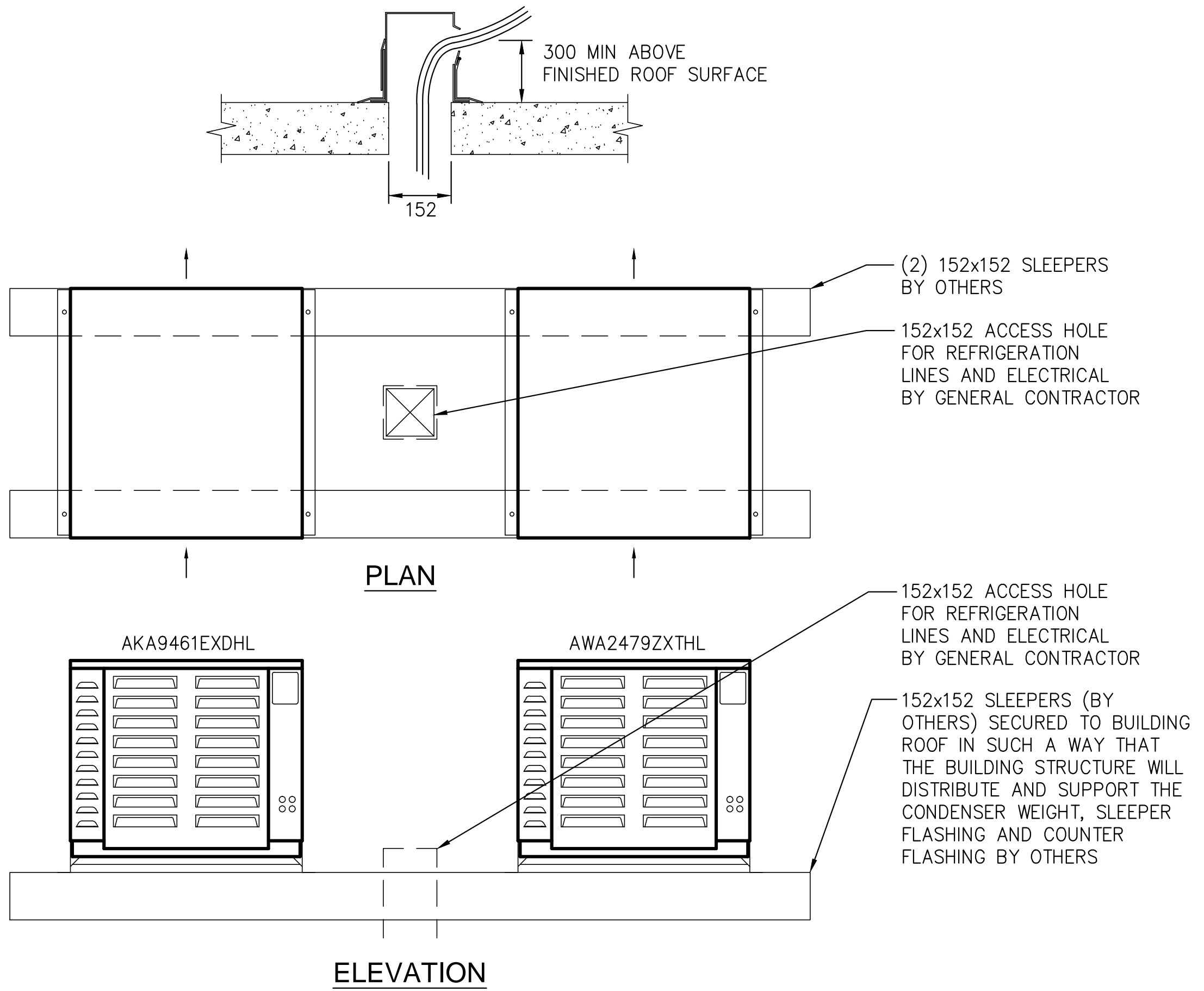


NOTES:

- SANIMAX SUPPLIED BY OWNER, INSTALLED BY CONTRACTOR.

SANECO TANK INSTALLATION
SCALE: NONE

5



No.	Description	Date
1	ISSUED TO PROJECT ARCHITECT	15.10.30

- REVISIONS
- THIS DRAWING IS THE PROPERTY OF A&W FOOD SERVICES OF CANADA INC., & MAY NOT BE USED IN WHOLE OR IN PART FOR ANY PROJECT OTHER THAN THAT DESIGNATED HEREON.
 - DO NOT SCALE DRAWINGS - WRITTEN DIMENSIONS TAKE PRECEDENCE.
 - CONTRACTOR TO VERIFY JOB SITE DIMENSIONS & CONDITIONS, REPORT ANY & ALL DISCREPANCIES TO THE OWNER & A&W IMMEDIATELY BEFORE PROCEEDING WITH WORK.
 - ALL WORK TO CONFORM TO THE LATEST LOCAL BUILDING CODES, BY-LAWS, & NFPA REQUIREMENTS, IN ADDITION TO OTHER REGULATIONS HAVING JURISDICTION.

Association of Professional Engineers & Geoscientists of Saskatchewan
CERTIFICATE OF AUTHORIZATION
Zbaraschuk Engineering Company
 Number 2003
 Permission to Consult held by:
 Discipline: *MECH* S.R. No. *16000* Signature: *[Signature]*

ZBARASCHUK ENGINEERING CO.
 DENNIS W. ZBARASCHUK, P. ENG
 RR4 SITE 12 BOX 4
 PRINCE ALBERT, SK S6V 1G2
 (306) 929-4923 dwzbor@soskstel.net

PRAKASH
PRAKASH CONSULTING LTD
STRUCTURAL ENGINEERS
 #4 - 210 15TH STREET EAST
 PRINCE ALBERT, SK S6V 1G2
 T 306 922 2101 F 306 763 0212

RNF
VENTURES LTD.

811 CENTRAL AVENUE PH: (306) 763-3700
 PRINCE ALBERT, SK FX: (306) 763-4700
 S6V 4V2

A&W
A&W FOOD SERVICES OF CANADA INC.

Project: **A&W RESTAURANT**
 "2015 GFMGF CONCEPT DESIGN"
 11401 RAILWAY AVE,
 NORTH BATTLEFORD, SK

Title: **DETAILS**

Date Created	February 2016	Prototype Version	2178L (2015 V1.1)
Project Number	14064	Page Number	
Drawn By	RMS	Scale	AS NOTED
Consultant			M3.2