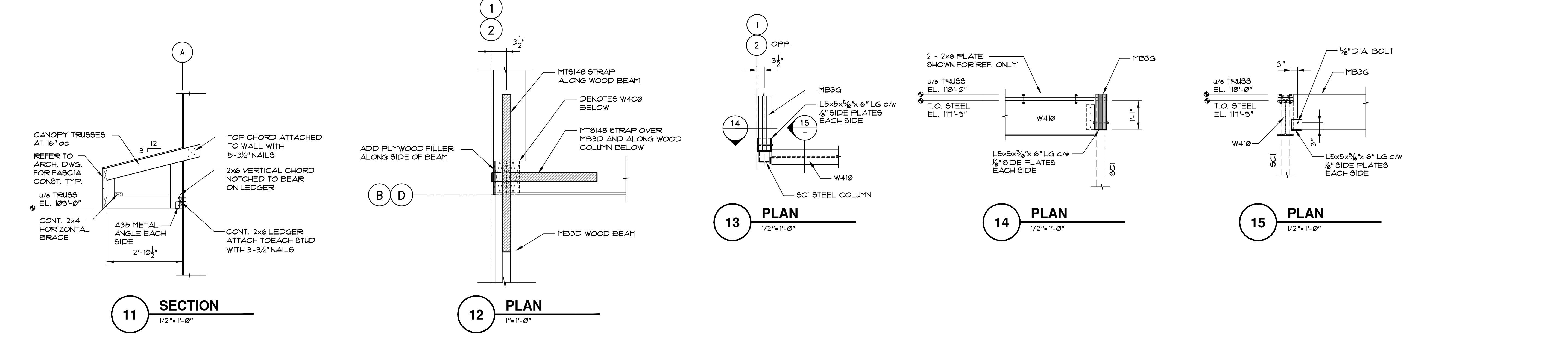
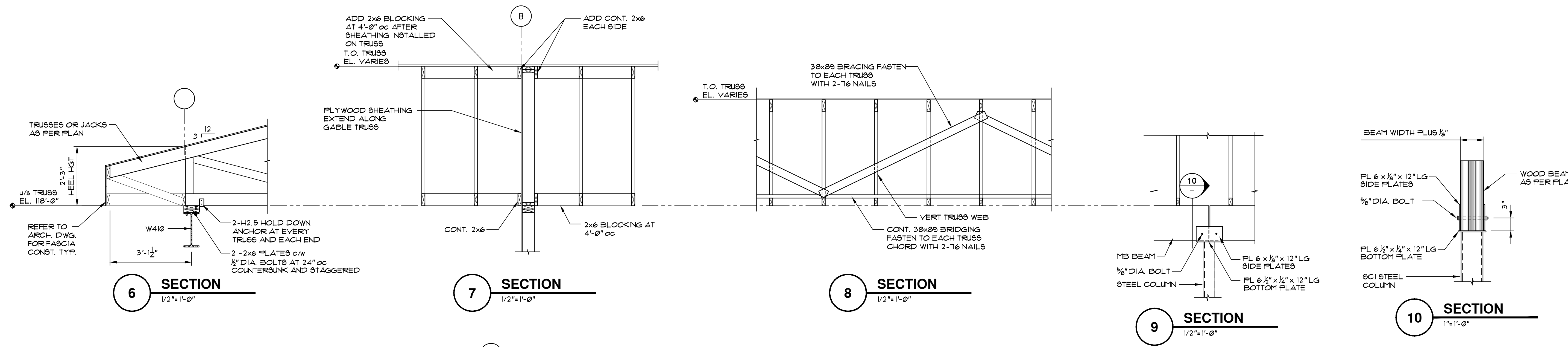
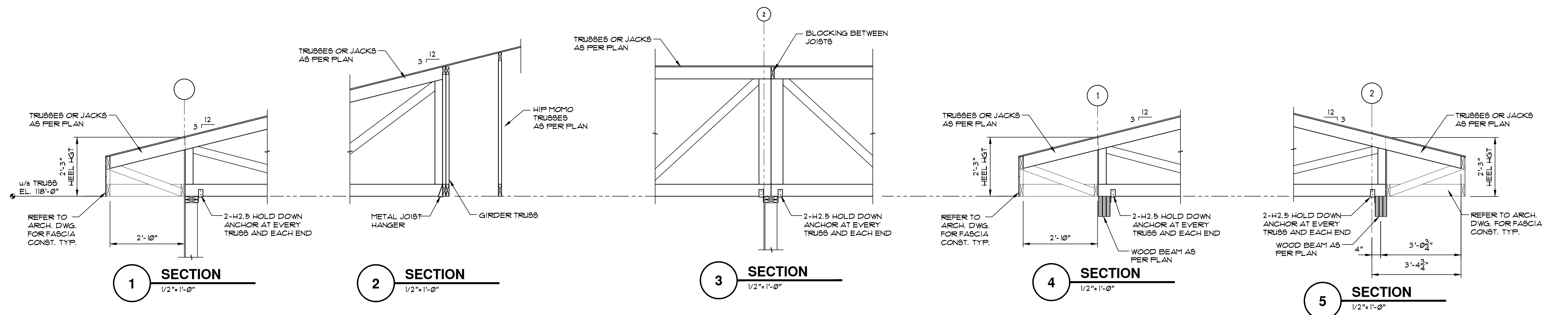


DO NOT SCALE DRAWINGS. VERIFY ALL DIMENSIONS, DATA & ELEVATIONS PRIOR TO COMMENCEMENT OF WORK. COPYRIGHT © RBM ARCHITECTURE INC.



ISSUED FOR TENDER
A - ISSUED FOR REVIEW

17/01/23
16/12/06

SEAL: PROFESSIONAL ENGINEER
E.F. SAWCHUK
SASKATCHEWAN

ASSOCIATION OF PROFESSIONAL ENGINEERS AND GEOSCIENTISTS OF SASKATCHEWAN
CERTIFICATE OF AUTHORIZATION
ETS ENGINEERING CORPORATION
NUMBER 20638
PERMISSION TO CONSULT HELD BY:
DISCIPLINE: S.A.S. RES. NO. STRUCTURAL 2975

CLIENT:
TOWN OF WYNYARD

CONSULTANTS: 4118
ETS
ENGINEERING CORP.
129C Pinehouse Drive
Saskatoon, Saskatchewan
ph. (306) 978-0111

RBM
architecture
2205 Speers Avenue email: info@rbmarchitecture.com * 704, 1101-101 Street
Saskatoon, SK fax: 306-242-9180 North Battleford, SK
ph. 306-242-2636 ph. 306-441-4208

PROJECT:
WYNYARD
RECYCLING DEPOT

DRAWING:
SECTIONS AND DETAILS

PROJECT No: T51-16 SHEET No: PLOT No: 1
DATE: 10/26/2016
DRAWN BY: -
SCALE: AS NOTED

S402