

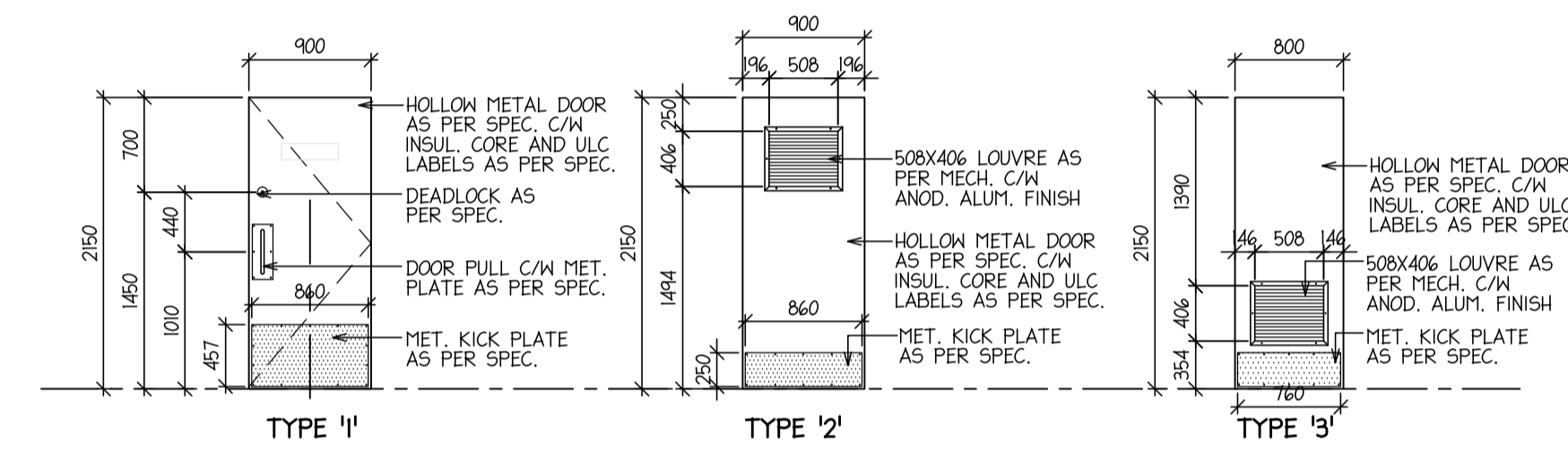
### ROOM FINISH SCHEDULE

ROOM NO.	ROOM NAME	FLOOR	BASE	WALLS			CEILING	HEIGHT	REMARKS	
				NORTH	EAST	SOUTH				
100	LADIES' WASHROOM	AMELOCK 400-EPOXY PAINT	200MM EPOXY	CONC.BLK.(EPOXY)	HARDIEPANEL & CONC.BLK.(EPOXY)	HARDIEPANEL & CONC.BLK.(EPOXY)	CONC.BLK.(EPOXY)	G.I.S. PLND.(PTD.)	SLOPE VARIES	
101	LADIES' SHOWER	AMELOCK 400-EPOXY PAINT	200MM EPOXY CERAMIC TILE	HARDIEPANEL C.T	HARDIEPANEL & AZEC TRIM & C.T	CONC.BLK.(EPOXY)	CONC.BLK.(EPOXY)	G.I.S. PLND.(PTD.)	SLOPE VARIES	DENSHIELD BEHIND C.T-REFER TO INT. ELEV.
102	MECHANICAL ROOM	AMELOCK 400-EPOXY PAINT	200MM P.T WD.	CONC.BLK.(EPOXY)	CONC.BLK.(EPOXY) & EXP. P.T. WD.	CONC.BLK.(EPOXY)	CONC.BLK.(EPOXY) & EXP. P.T. WD.	G.I.S. PLND.(PTD.)	SLOPE VARIES	
103	MEN'S WASHROOM	AMELOCK 400-EPOXY PAINT	200MM EPOXY CERAMIC TILE	HARDIEPANEL C.T	HARDIEPANEL & AZEC TRIM & C.T	CONC.BLK.(EPOXY)	CONC.BLK.(EPOXY)	G.I.S. PLND.(PTD.)	SLOPE VARIES	DENSHIELD BEHIND C.T-REFER TO INT. ELEV.
104	MEN'S SHOWER	EPOXY PAINT & CERAMIC TILE	200MM EPOXY CERAMIC TILE	HARDIEPANEL C.T	HARDIEPANEL & AZEC TRIM & C.T	CONC.BLK.(EPOXY)	CONC.BLK.(EPOXY)	G.I.S. PLND.(PTD.)	SLOPE VARIES	DENSHIELD BEHIND C.T-REFER TO INT. ELEV.

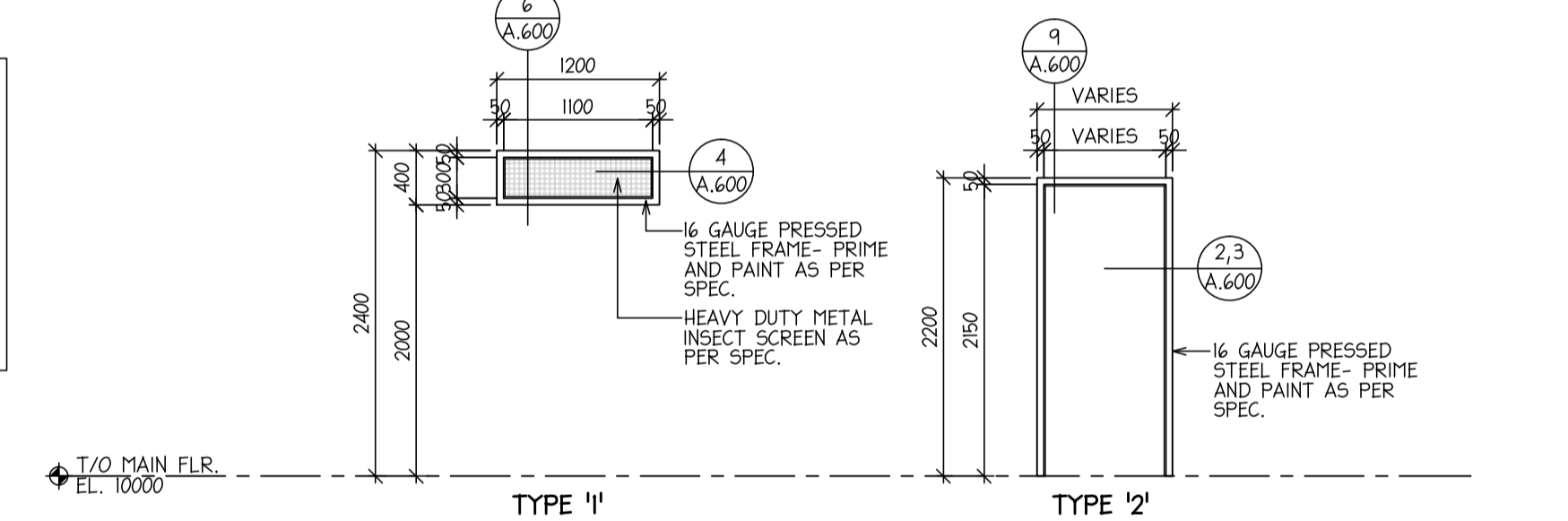
### DOOR AND FRAME SCHEDULE

DOOR	NO.	SIZE	TYPE	MAT.	FIN.	FRAME			LABEL	REMARKS
						TYPE	MAT.	FIN.		
D.100	900mm x 2150mm x 45mm	1	H.M.	PTD.	2	P.S.F.	PTD.	1		EXTERIOR DOOR
D.101	800mm x 2150mm x 45mm	3	H.M.	PTD.	2	P.S.F.	PTD.	3		
D.102	900mm x 2150mm x 45mm	2	H.M.	PTD.	2	P.S.F.	PTD.	2		EXTERIOR DOOR
D.103	900mm x 2150mm x 45mm	1	H.M.	PTD.	2	P.S.F.	PTD.	1		EXTERIOR DOOR
D.104	800mm x 2150mm x 45mm	3	H.M.	PTD.	2	P.S.F.	PTD.	3		

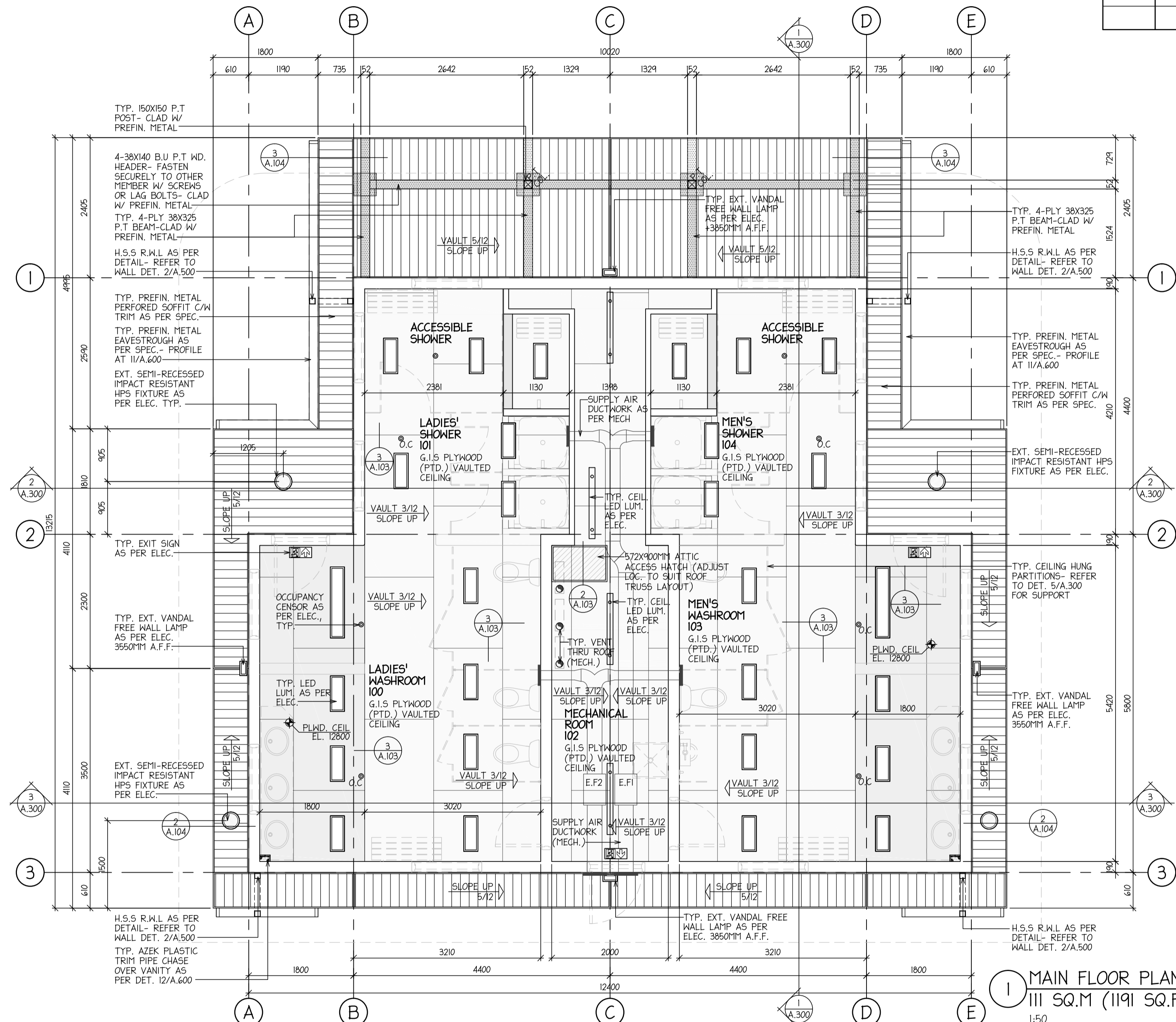
### DOOR TYPES



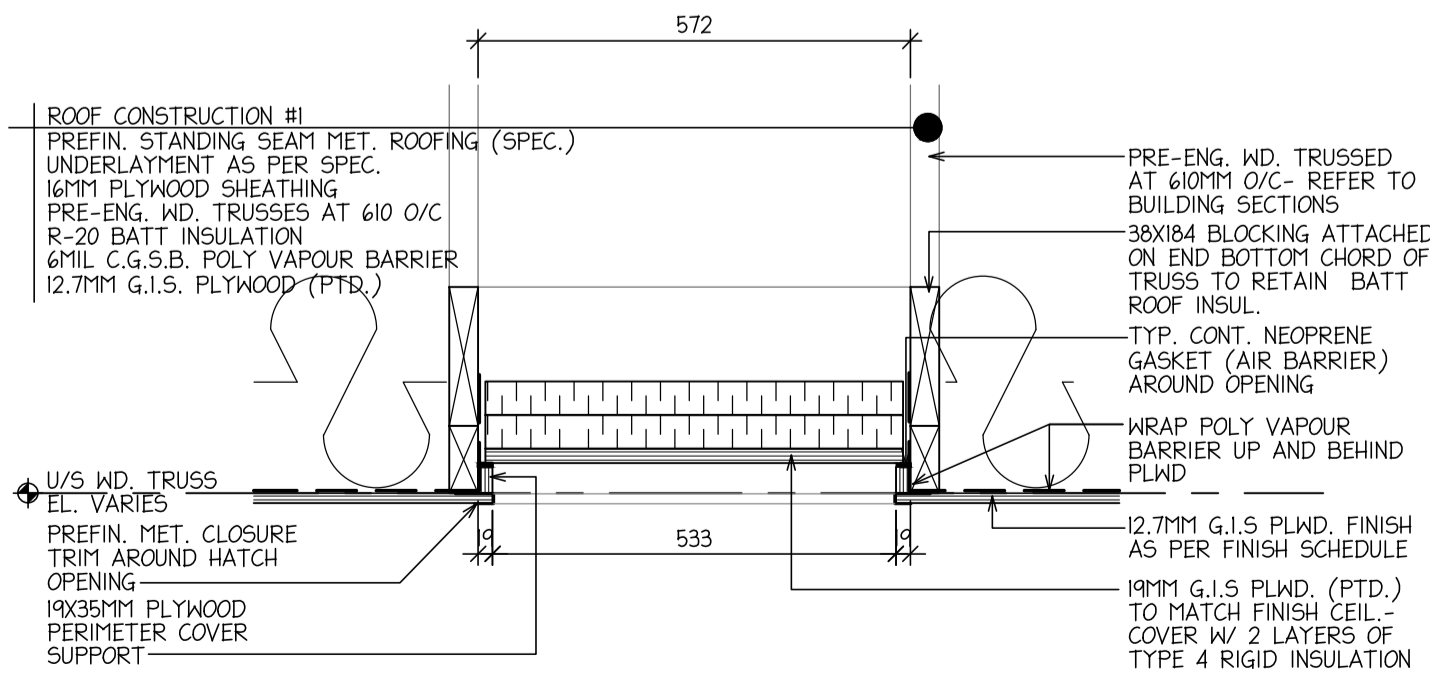
### FRAME TYPES



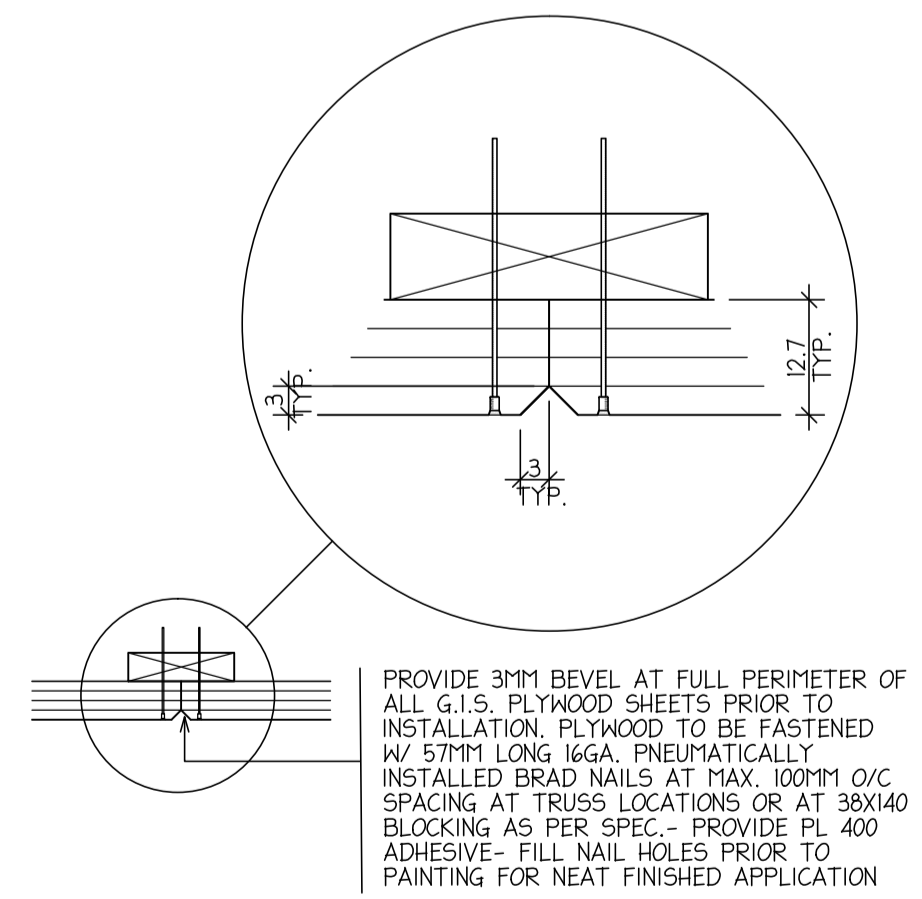
NOTES:  
 1. DIMENSIONS SHOWN APPLY TO BOTH SIDES OF BLDG. - BUILDING IS SYMMETRICAL.  
 2. NOTES SHOWN APPLY TO BOTH SIDES OF BLDG. UNLESS INDICATED NOTED-BUILDING IS CONSTRUCTED THE SAME ON BOTH SIDES



1 MAIN FLOOR PLAN  
 111 SQ.M (1191 SQ.FT)  
 1:50



2 SECTION DETAIL- TYP.  
 ATTIC HATCH ACCESS  
 1:10



2 SECTION DETAIL- TYP.  
 CEILING PLYWOOD JOINT  
 1:5

### WALL TYPE SCHEDULE

WALL TYPE "1" (EXTERIOR WALL)  
 200MM CONCRETE BLOCK (SINGLE SCORE W/ SPLIT FACE ACCENT AS PER ELEVATIONS) C/W BOND BEAMS & LINTELS AS PER STRUCT. DWGS.-RAKED JOINTS AT EXTERIOR AND CONCAVE TOOLED JOINTS AT INTERIOR

WALL TYPE "2" (INTERIOR BLOCK PARTITION)  
 200MM CONCRETE BLOCK (SMOOTH) C/W BOND BEAMS AND LINTELS AS PER STRUCT. - CONCAVE TOOLED JOINTS B.S

WALL TYPE "3" (INTERIOR PARTITION)  
 HARDIEPANEL CEDAR PLANK AS PER SPEC. (ABOVE GELCOAT SHOWER)  
 9.5MM PLYWOOD SHEATHING (FULL HEIGHT) 38X89 PWF WOOD STUDS AT 406MM O/C

WALL TYPE "4" (TILED SHOWER)  
 HARDIEPANEL CEDAR PLANK AS PER SPEC. (ABOVE SHOWER CERAMIC TILE LAYOUT)  
 CERAMIC TILE AND GROUT AS PER SPEC.  
 12.7MM CEILING BOARD  
 9.5MM PLYWOOD SHEATHING  
 38X89 PWF WOOD STUDS AT 406MM O/C

ISSUED FOR TENDER/CONSTRUCTION 19-04-17  
 ISSUED FOR FINAL REVIEW 29-04-16  
 ISSUED FOR REVIEW 31-03-16  
 ISSUED FOR REVIEW 75% 28-03-16  
 ISSUED FOR REVIEW 50% 11-03-16  
 ISSUED FOR OWNER REVIEW 29-01-16

NOTES:  
 1. THIS PLAN WAS PREPARED FOR THE GOVERNMENT'S INTERNAL PURPOSES ONLY. THE GOVERNMENT DOES NOT WARRANT THAT THIS PLAN IS APPROPRIATE FOR ANY OTHER PURPOSE OR LOCATION. NEITHER THE MINISTER NOR THE GOVERNMENT ACCEPTS ANY RESPONSIBILITY FOR ANY LOSSES OR DAMAGES ARISING FROM ANYONE USING THIS PLAN. THE USER MUST ENSURE THAT ANYTHING BUILT FROM THIS PLAN IS ADEQUATE AND SAFE FOR THE USER'S PARTICULAR SITE CONDITIONS. THIS SHALL INCLUDE, BUT SHALL NOT BE LIMITED TO, ALL FOUNDATION, STRUCTURAL, SAFETY, AND ANY OTHER APPLICABLE REQUIREMENTS.  
 2. THE USER SHALL ALSO ENSURE THAT THIS PLAN WILL SUIT THE PARTICULAR SITE AND COMPLY WITH ANY OTHER RELEVANT FEDERAL, PROVINCIAL OR MUNICIPAL REGULATIONS AND CODES WHICH MAY APPLY AT THE USER'S SITE.  
 3. THE LOCATION OF THE UNDERGROUND SERVICES AS SHOWN IS APPROXIMATE ONLY. OTHER UNKNOWN SERVICES MAY EXIST IN THE VICINITY. PLEASE CHECK WITH THE APPROPRIATE UTILITY COMPANY AND THE PARK/SITE MAINTENANCE SUPERVISOR OR REPRESENTATIVE.  
 4. IT IS THE RESPONSIBILITY OF ANYONE USING THIS PLAN FOR DESIGN PURPOSES TO VERIFY ALL INFORMATION SHOWN ON THIS PLAN. IT IS THE USER'S RESPONSIBILITY TO IDENTIFY ANY UTILITY INFRASTRUCTURE.

**MAURICE SOULODRE**  
 ARCHITECT LTD  
 1815C LORNE AVE  
 SASKATOON, SK S7H 1Y5  
 TEL (306) 955-0333  
 FAX (306) 955-0549  
 EMAIL soularc@skasktel.net

PROJECT  
 SERVICE CENTRE REPLACEMENT  
 MEADOW LAKE  
 PROVINCIAL PARK

**SANDY BEACH**  
 CAMPGROUND  
 MINISTRY OF PARKS, CULTURE AND SPORT  
 PARKS SERVICE BRANCH  
 2nd FLOOR 3211 ALBERT STREET  
 REGINA, SASKATCHEWAN  
 S4S 5W6

DRAWING  
 REFLECTED CEILING PLAN  
 AND SCHEDULES

SCALE: 1:50 AS SHOWN  
 PLOTTED: 19-04-2017  
 FILE: 3556C  
 DATE: APRIL 19 2017  
 DESIGN: MS  
 DRAWN: DU

Saskatchewan Ministry of Parks, Culture and Sport

MEADOW LAKE PROVINCIAL PARK  
 SANDY BEACH CAMPGROUND

SERVICE CENTRE REPLACEMENT  
 REFLECTED CEILING PLAN  
 ROOM FINISH AND DOOR SCHEDULES

PLAN NO. SHEET 5 OF 24  
 1008-30-F22-15C

DRAWING NO. **A.103**