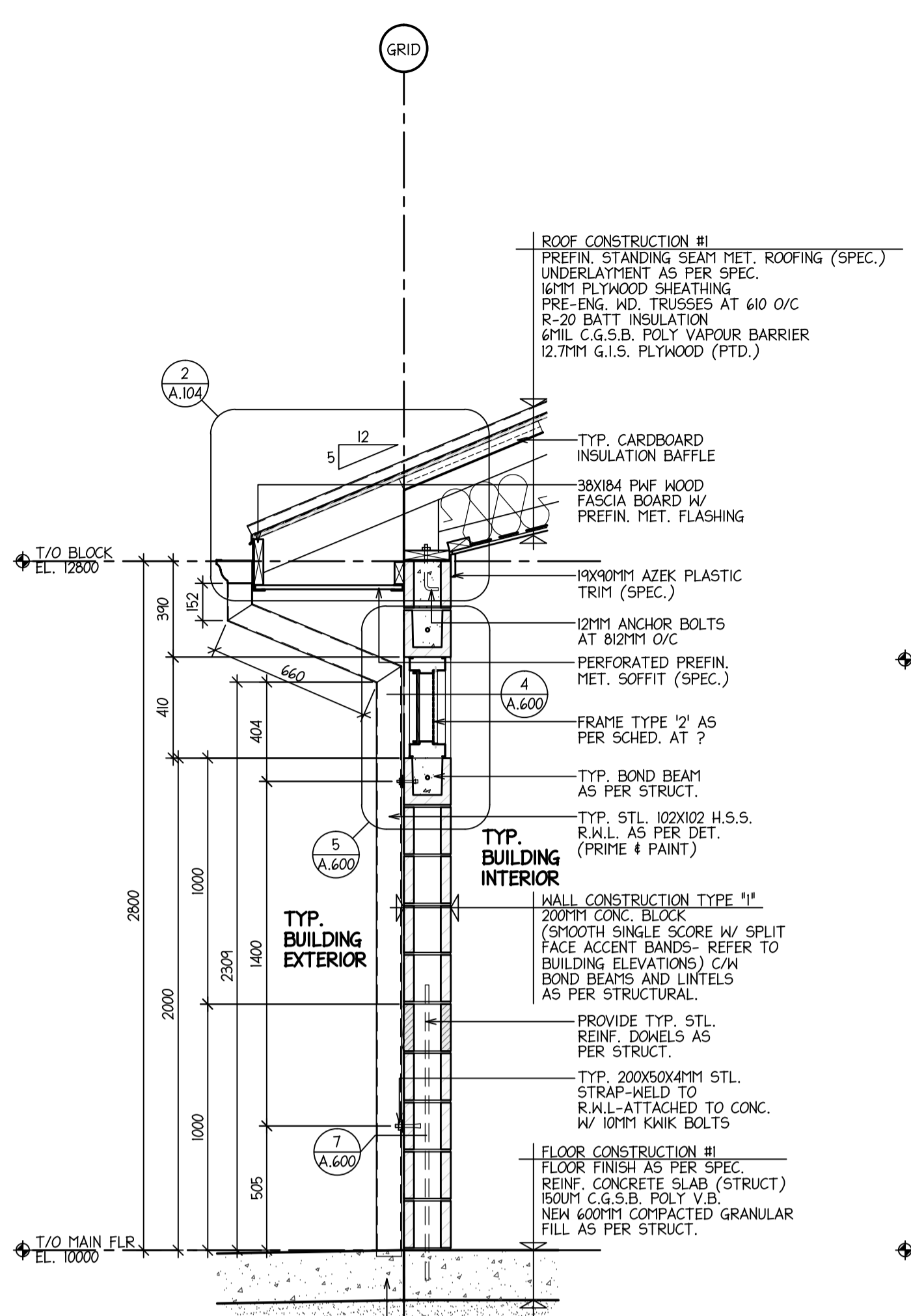
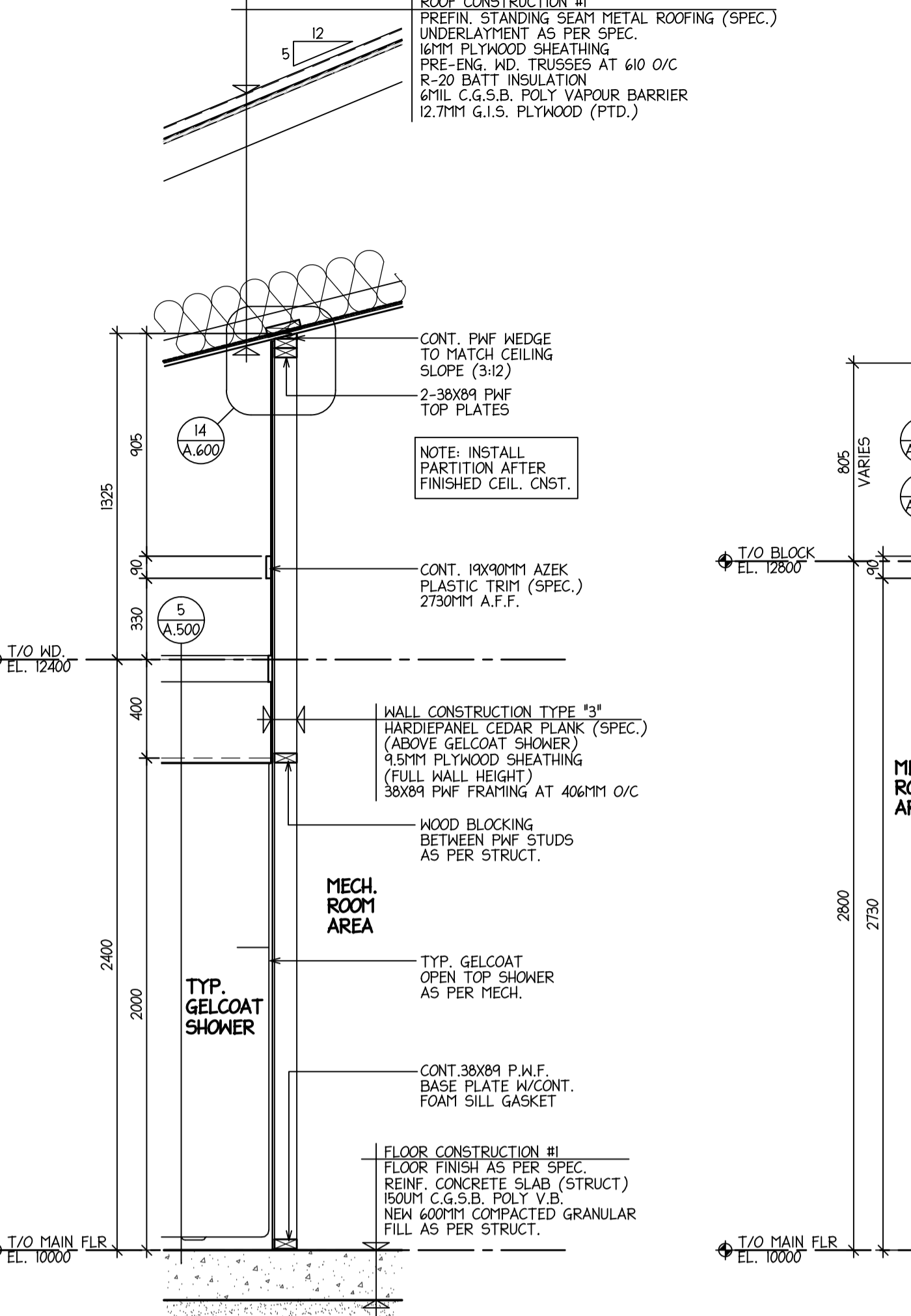


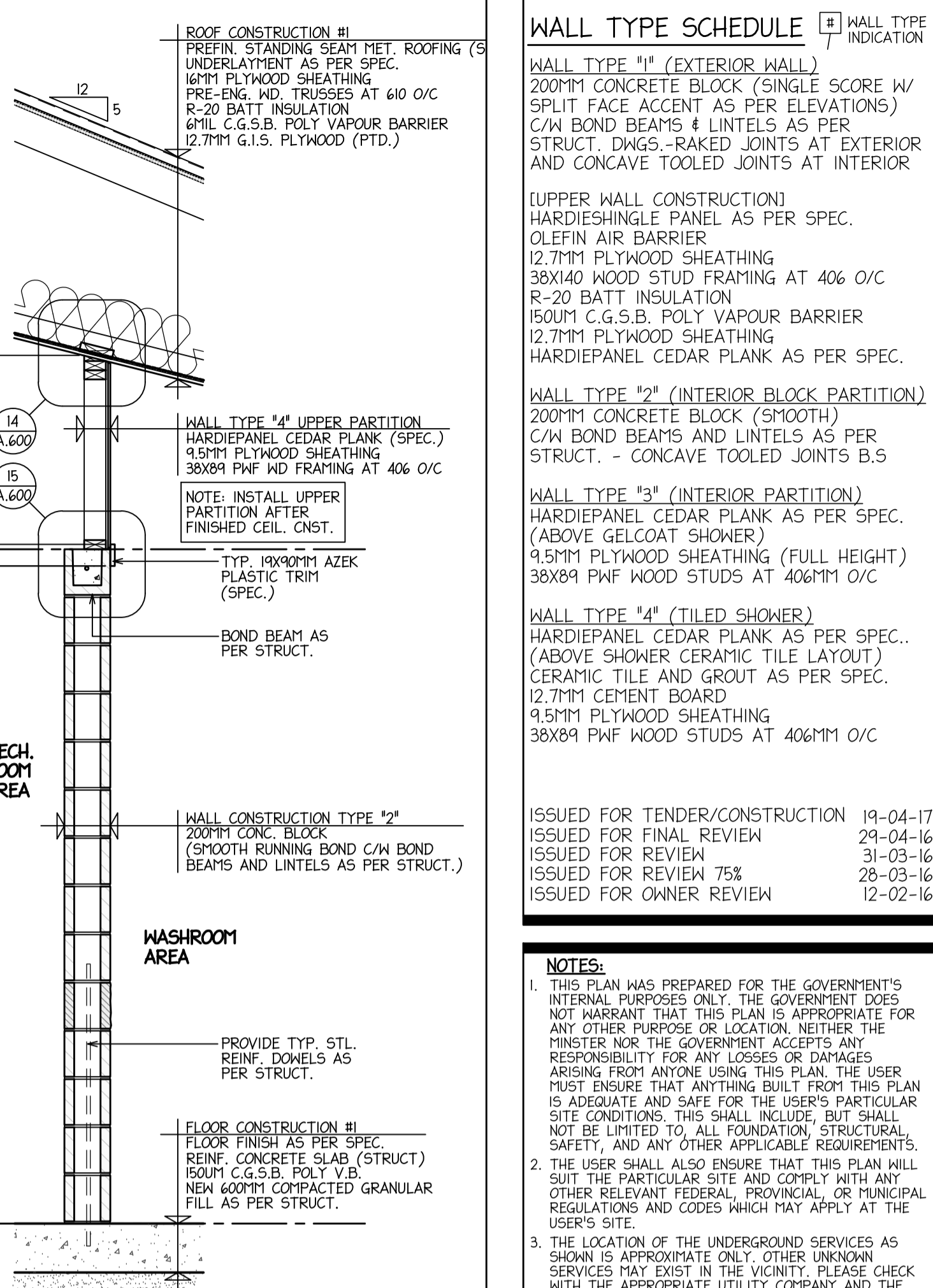
1 WALL SECTION- TYP. AT GABLE WALL



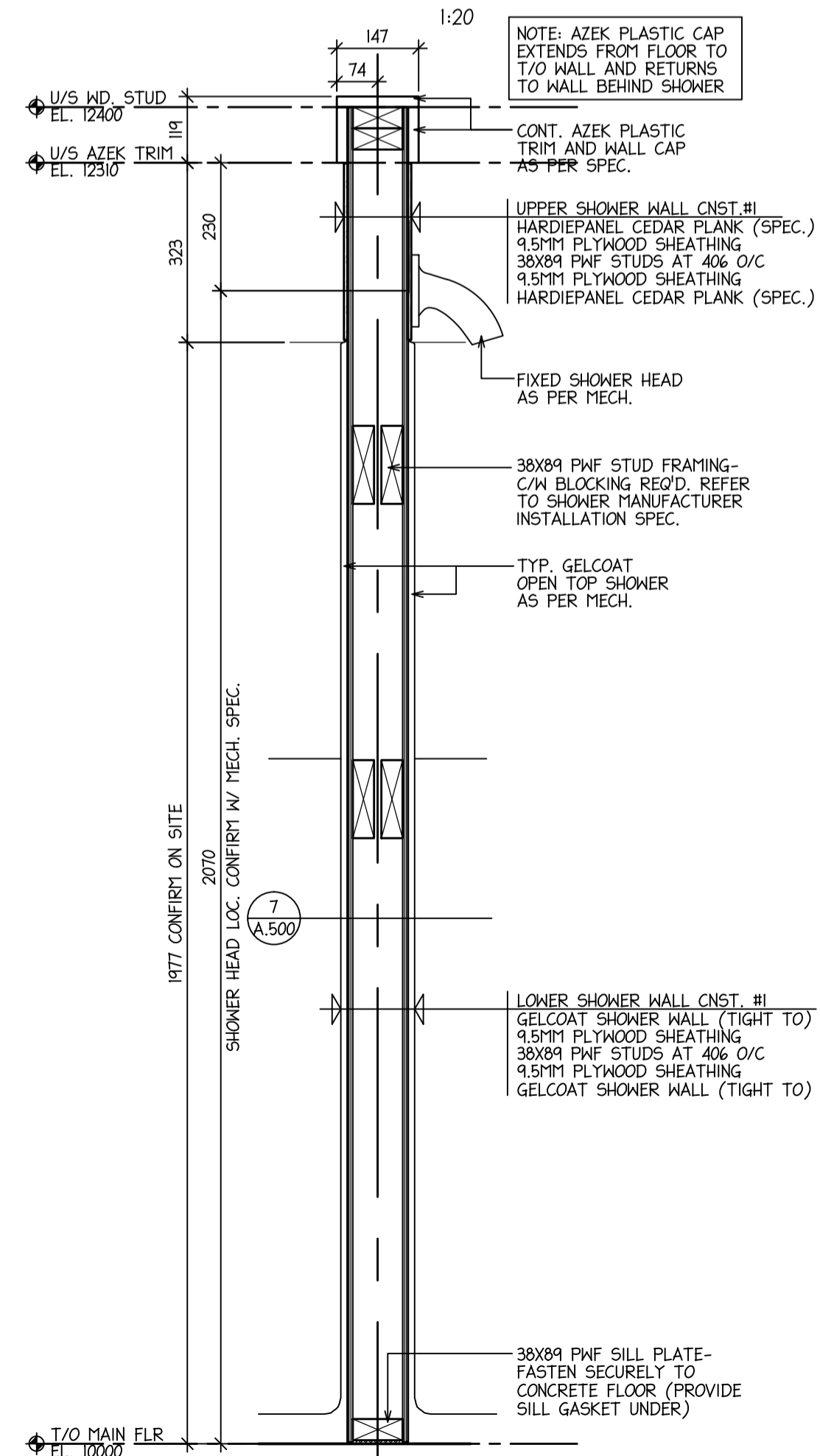
2 WALL SECTION- TYP. EXTERIOR SIDEWALL



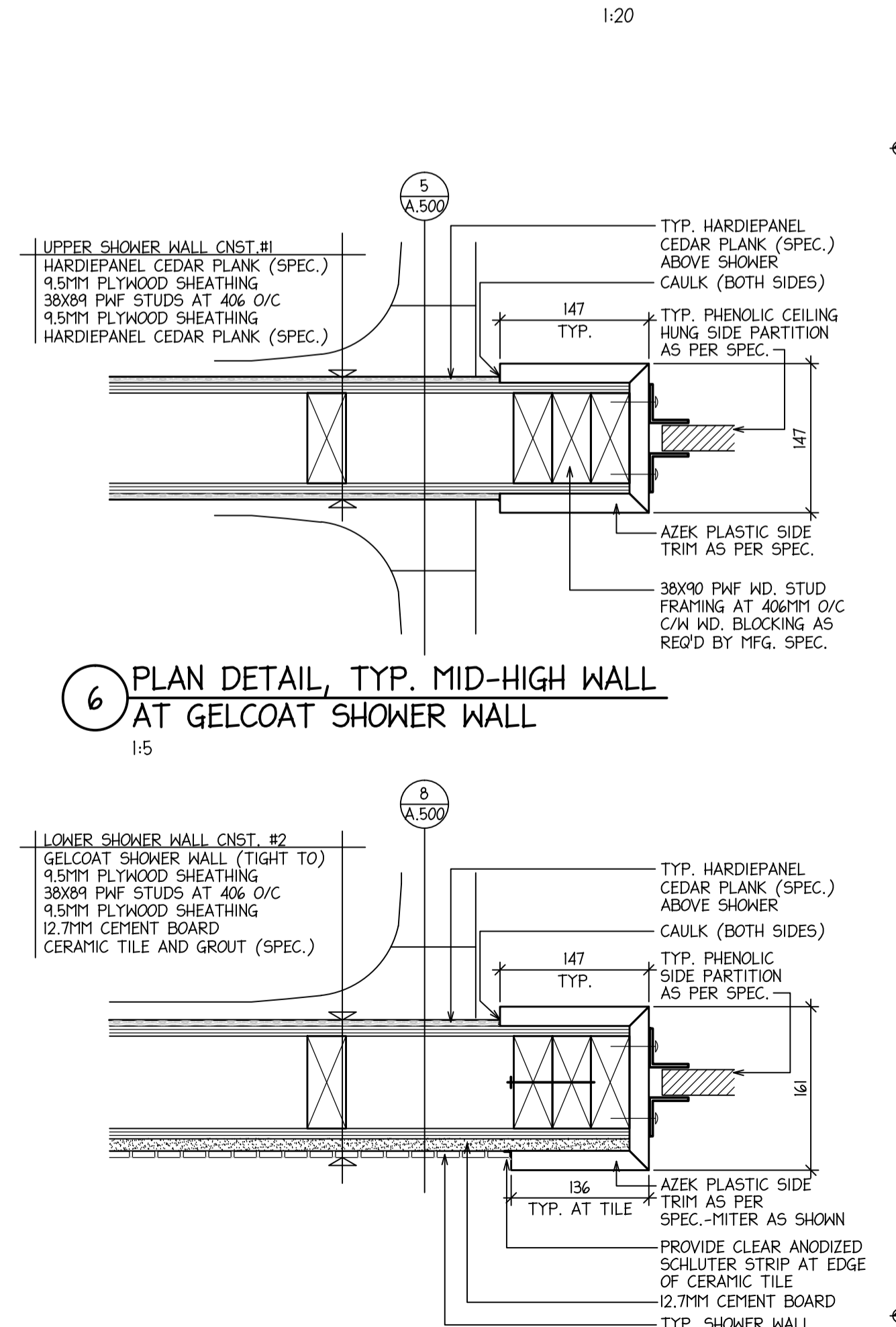
3 WALL SECTION- TYP. AT SHOWER AREA/MECH ROOM



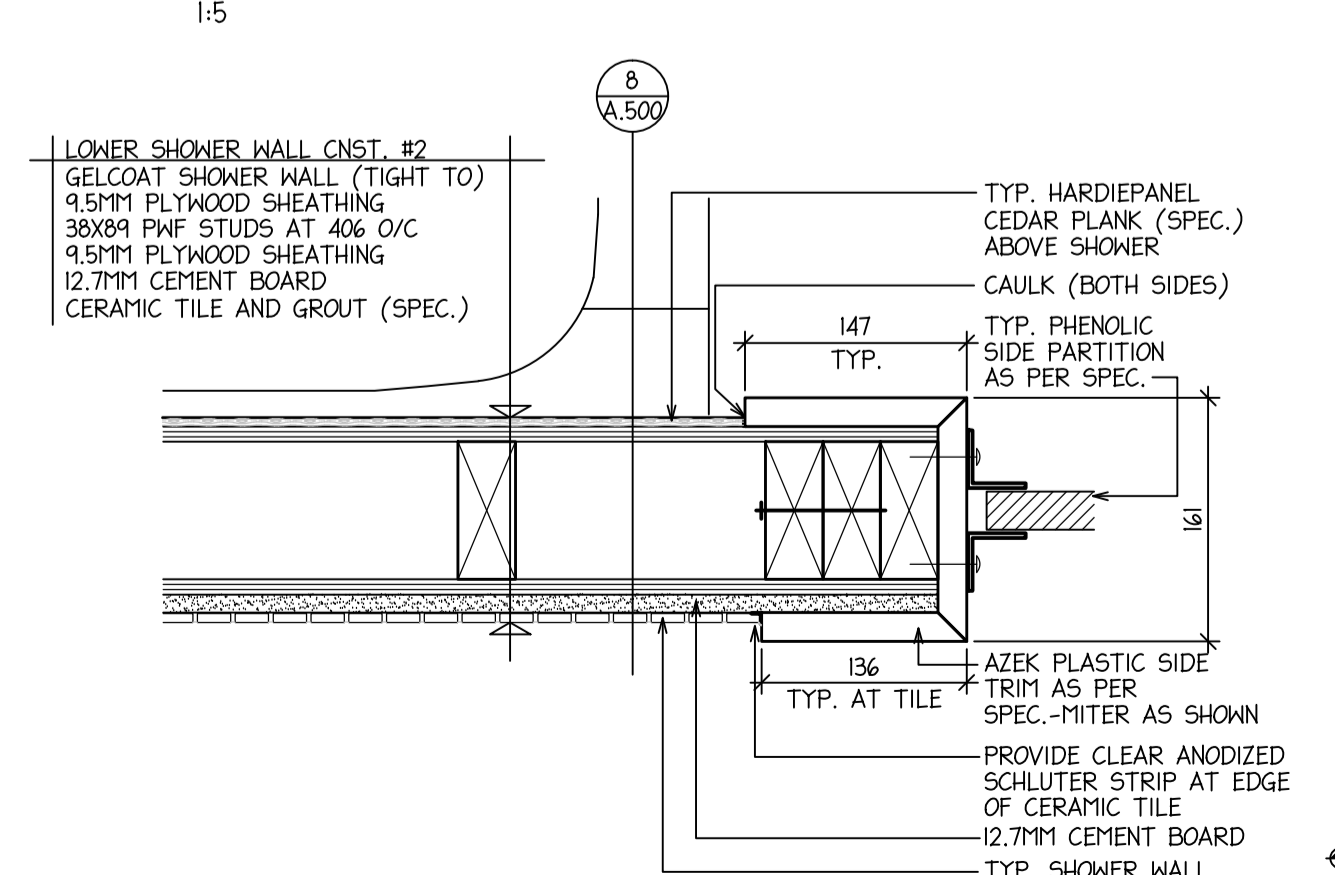
4 WALL SECTION- TYP. AT WASHROOMS/MECH ROOM



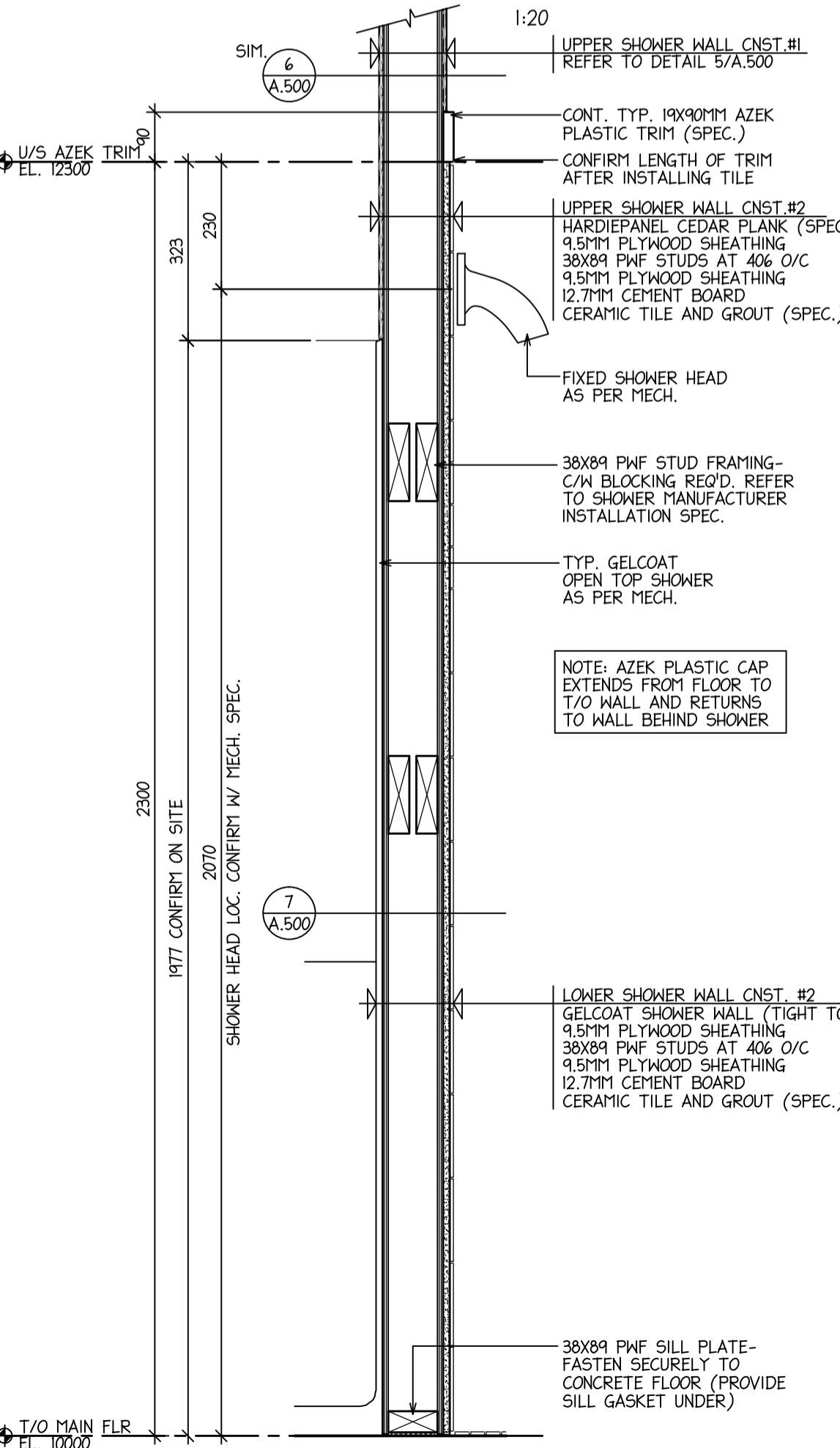
5 SECTION DETAIL- TYP. AT GELCOAT SHOWER WALL



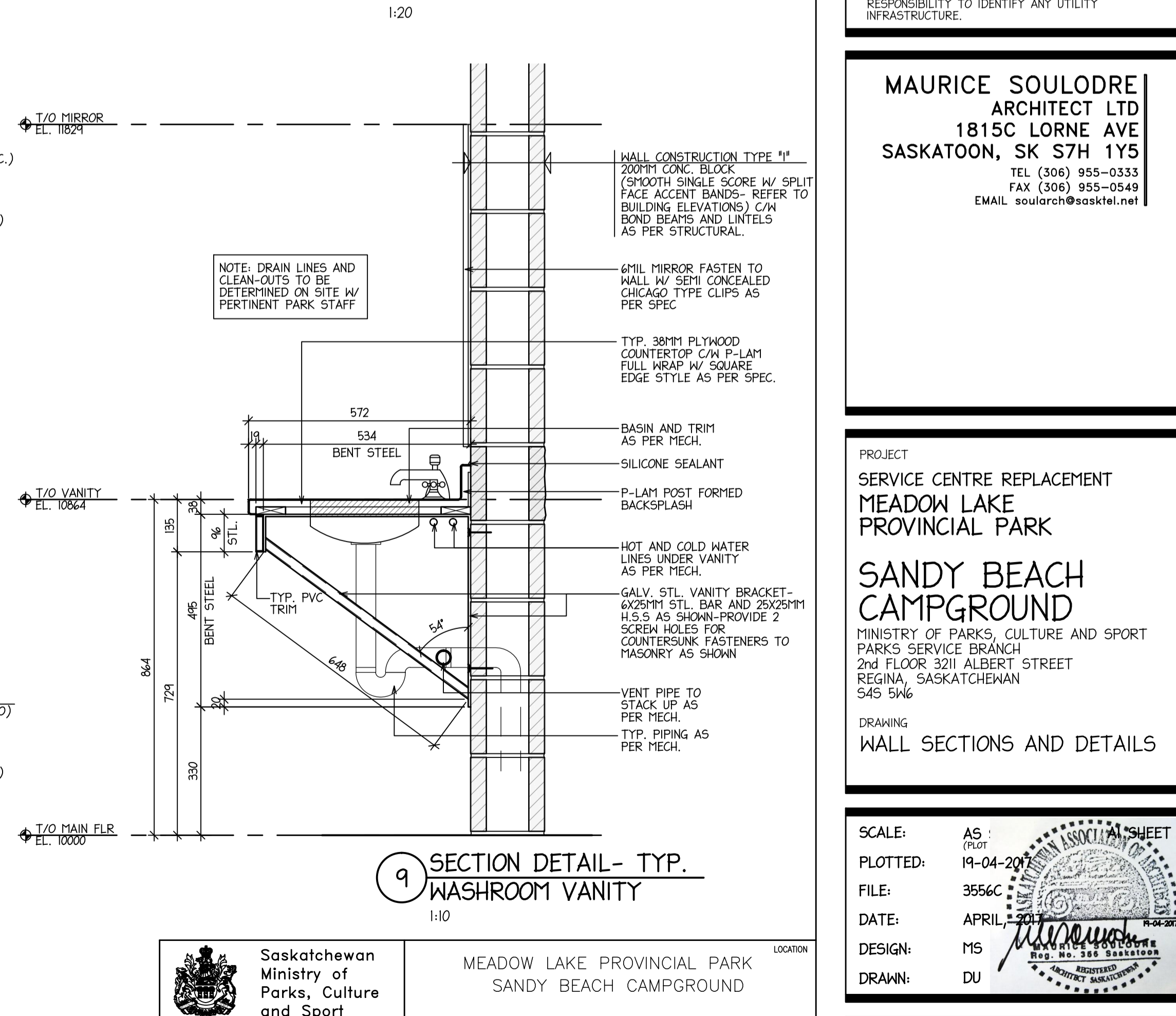
6 PLAN DETAIL, TYP. MID-HIGH WALL AT GELCOAT SHOWER WALL



7 PLAN DETAIL- LOWER SECTION AT CERAMIC SHOWER WALL



8 SECTION DETAIL- TYP. AT CERAMIC SHOWER WALL



9 SECTION DETAIL- TYP. WASHROOM VANITY

WALL TYPE SCHEDULE [] WALL TYPE INDICATION

WALL TYPE "1" (EXTERIOR WALL)
 200MM CONCRETE BLOCK (SINGLE SCORE W/ SPLIT FACE ACCENT BANDS AS PER ELEVATIONS)
 C/W BOND BEAMS & LINTELS AS PER STRUCT. DWGS - RAKED JOINTS AT EXTERIOR AND CONCAVE TOOLED JOINTS AT INTERIOR

[UPPER WALL CONSTRUCTION]
 HARDIESHINGLE PANEL AS PER SPEC.
 OLEFIN AIR BARRIER
 12.7MM PLYWOOD SHEATHING
 38X140 WOOD STUD FRAMING AT 406 O/C
 R-20 BATT INSULATION
 150UM C.G.S.B. POLY VAPOUR BARRIER
 12.7MM PLYWOOD SHEATHING
 HARDIEPANEL CEDAR PLANK AS PER SPEC.

WALL TYPE "2" (INTERIOR BLOCK PARTITION)
 200MM CONCRETE BLOCK (SMOOTH)
 C/W BOND BEAMS AND LINTELS AS PER STRUCT. - CONCAVE TOOLED JOINTS B.S

WALL TYPE "3" (INTERIOR PARTITION)
 HARDIEPANEL CEDAR PLANK AS PER SPEC. (ABOVE GELCOAT SHOWER)
 9.5MM PLYWOOD SHEATHING (FULL HEIGHT)
 38X89 PWF WOOD STUDS AT 406MM O/C

WALL TYPE "4" (TILED SHOWER)
 HARDIEPANEL CEDAR PLANK AS PER SPEC. (ABOVE SHOWER CERAMIC TILE LAYOUT)
 CERAMIC TILE AND GROUT AS PER SPEC.
 12.7MM CEMENT BOARD
 9.5MM PLYWOOD SHEATHING
 38X89 PWF WOOD STUDS AT 406MM O/C

ISSUED FOR TENDER/CONSTRUCTION 19-04-17
 ISSUED FOR FINAL REVIEW 29-04-16
 ISSUED FOR REVIEW 31-03-16
 ISSUED FOR REVIEW 75% 28-03-16
 ISSUED FOR OWNER REVIEW 12-02-16

NOTES:

- THIS PLAN WAS PREPARED FOR THE GOVERNMENT'S INTERNAL PURPOSES ONLY. THE GOVERNMENT DOES NOT WARRANT THAT THIS PLAN IS APPROPRIATE FOR ANY OTHER PURPOSE OR LOCATION, NEITHER THE MINISTER NOR THE GOVERNMENT ACCEPTS ANY RESPONSIBILITY FOR ANY LOSSES OR DAMAGES ARISING FROM ANYONE USING THIS PLAN. THE USER MUST ENSURE THAT ANYTHING BUILT FROM THIS PLAN IS ADEQUATE AND SAFE FOR THE USER'S PARTICULAR SITE CONDITIONS. THIS SHALL INCLUDE, BUT SHALL NOT BE LIMITED TO, ALL FOUNDATION, STRUCTURAL, SAFETY, AND ANY OTHER APPLICABLE REQUIREMENTS.
- THE USER SHALL ALSO ENSURE THAT THIS PLAN WILL SUIT THE PARTICULAR SITE AND COMPLY WITH ANY OTHER RELEVANT FEDERAL, PROVINCIAL, OR MUNICIPAL REGULATIONS AND CODES WHICH MAY APPLY AT THE USER'S SITE.
- THE LOCATION OF THE UNDERGROUND SERVICES AS SHOWN IS APPROXIMATE ONLY. OTHER UNKNOWN SERVICES MAY EXIST IN THE VICINITY. PLEASE CHECK WITH THE APPROPRIATE UTILITY COMPANY AND THE PARK/SITE MAINTENANCE SUPERVISOR OR REPRESENTATIVE.
- IT IS THE RESPONSIBILITY OF ANYONE USING THIS PLAN FOR DESIGN PURPOSES TO VERIFY ALL INFORMATION SHOWN ON THIS PLAN. IT IS THE USER'S RESPONSIBILITY TO IDENTIFY ANY UTILITY INFRASTRUCTURE.

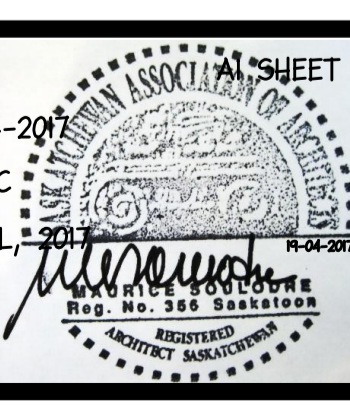
MAURICE SOULODRE
 ARCHITECT LTD
 1815C LORNE AVE
 SASKATOON, SK S7H 1Y5
 TEL (306) 955-0333
 FAX (306) 955-0549
 EMAIL soularch@skasktel.net

PROJECT
 SERVICE CENTRE REPLACEMENT
 MEADOW LAKE
 PROVINCIAL PARK

SANDY BEACH
 CAMPGROUND
 MINISTRY OF PARKS, CULTURE AND SPORT
 PARKS SERVICE BRANCH
 2nd FLOOR 3211 ALBERT STREET
 REGINA, SASKATCHEWAN
 S4S 5N6

DRAWING
 WALL SECTIONS AND DETAILS

SCALE: AS SHOWN
 PLOTTED: 19-04-2017
 FILE: 3556C
 DATE: APRIL 19, 2017
 DESIGN: MS
 DRAWN: DU



Saskatchewan Ministry of Parks, Culture and Sport
 MEADOW LAKE PROVINCIAL PARK
 SANDY BEACH CAMPGROUND
 SERVICE CENTRE REPLACEMENT WALL SECTIONS AND DETAILS
 PLAN NO. SHEET 11 OF 24
 1008-30-F22-15C