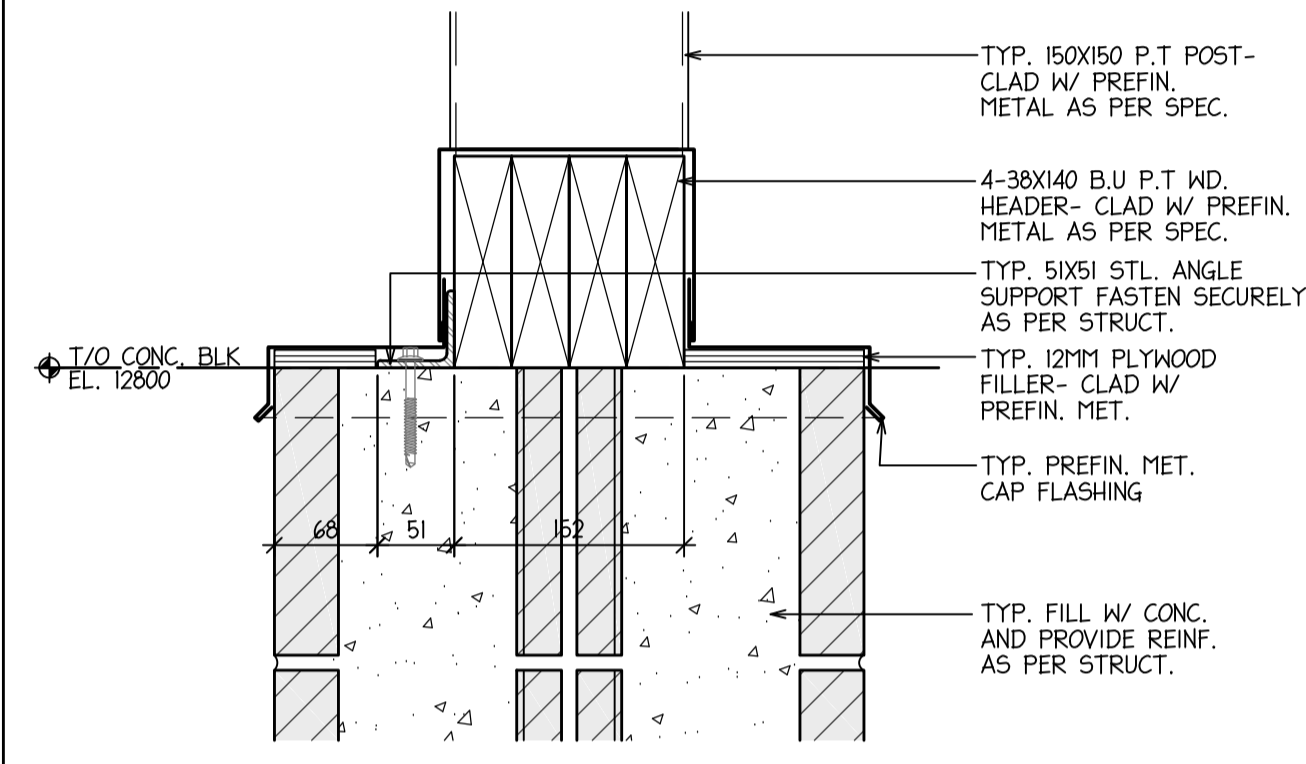
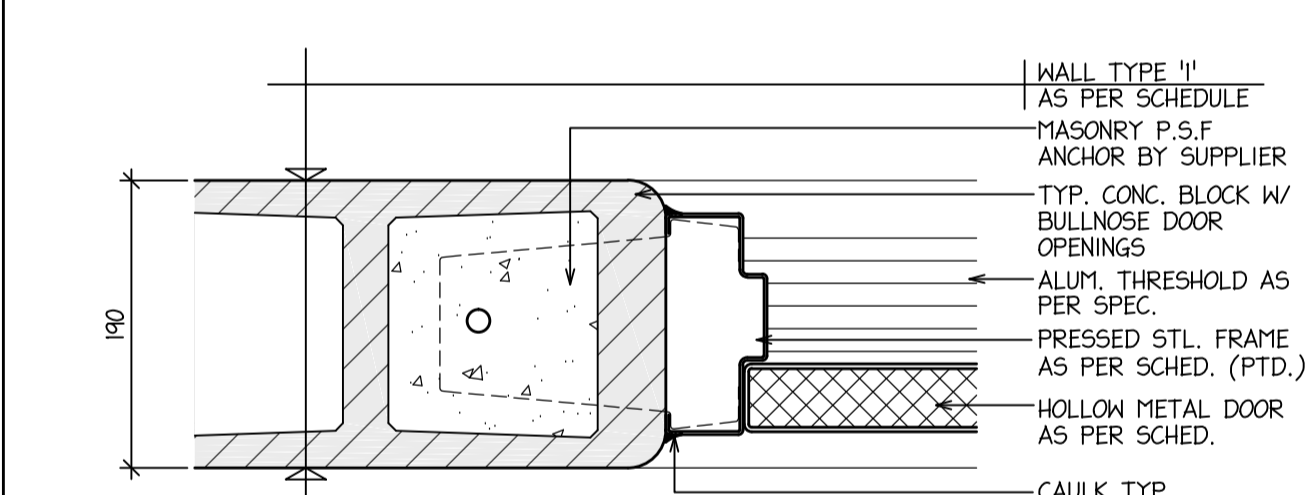


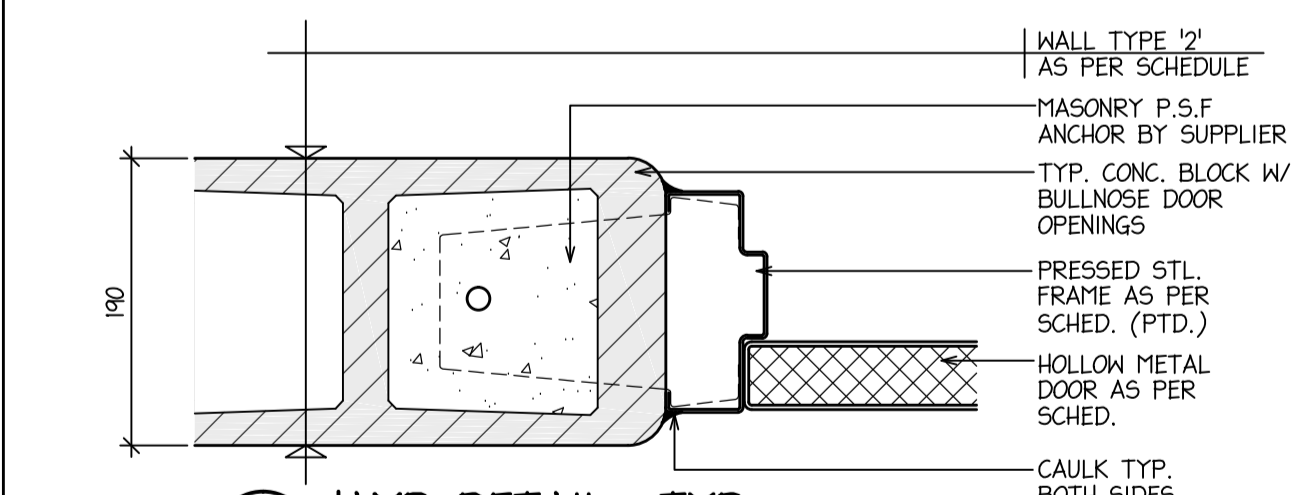
1 PLAN DETAIL- MASONRY COLUMN AT EXTERIOR ENTRANCE CANOPY
1:5



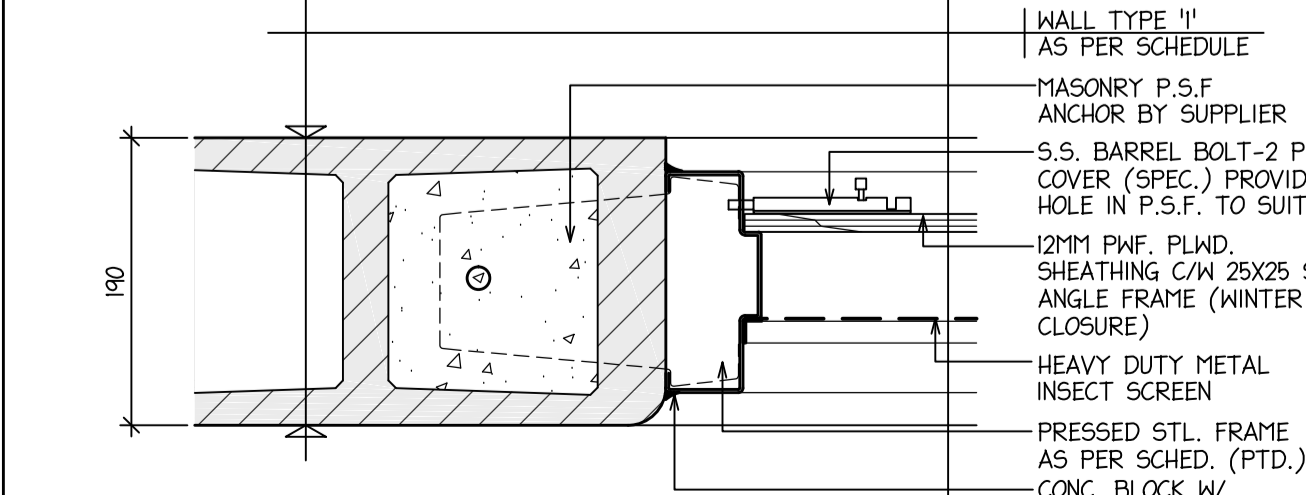
1A SECTION DETAIL- STL. SUPPORT AT T/O MASONRY COLUMN
1:5



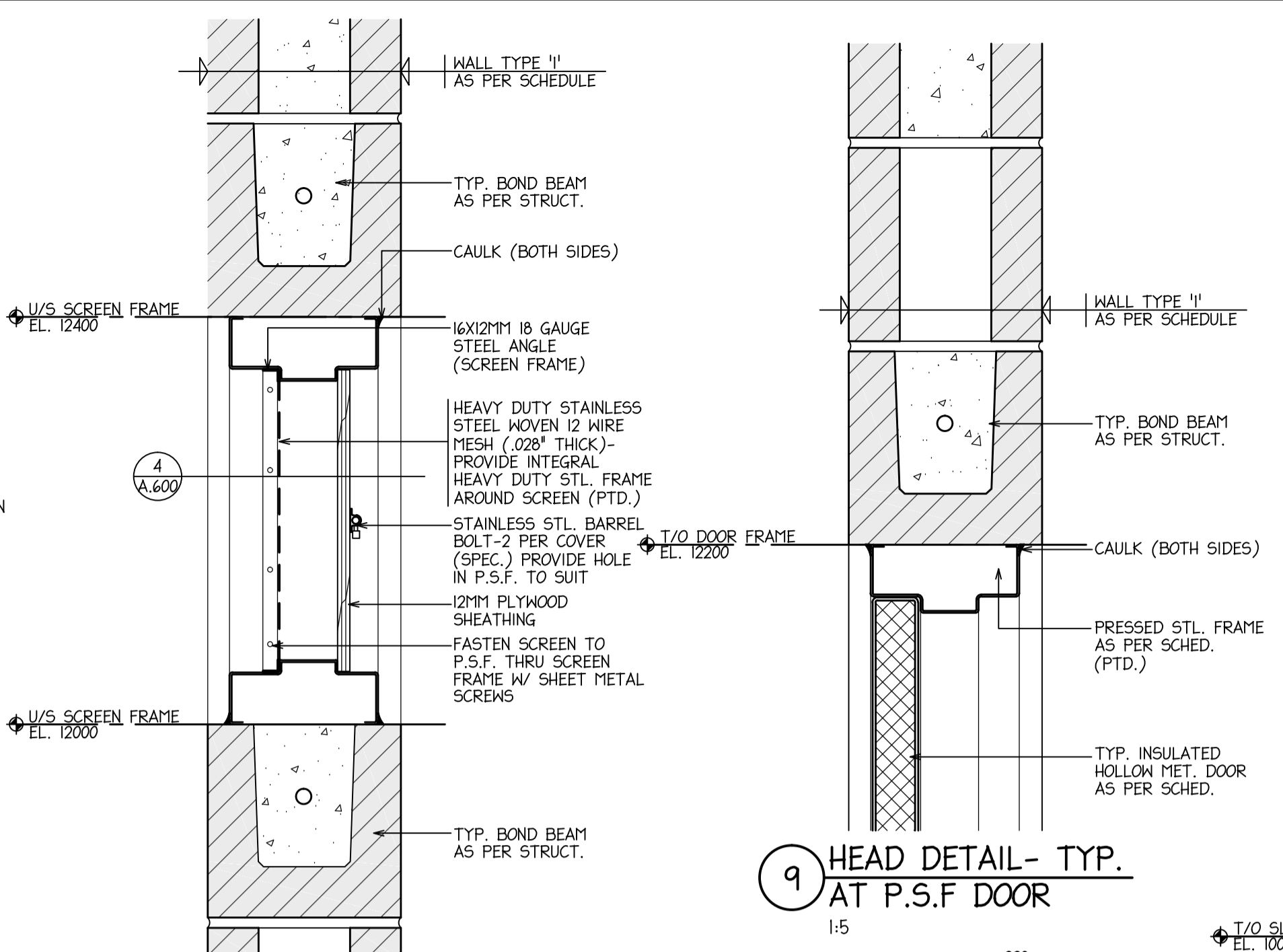
2 JAMB DETAIL- TYP. AT EXTERIOR DOOR
1:5



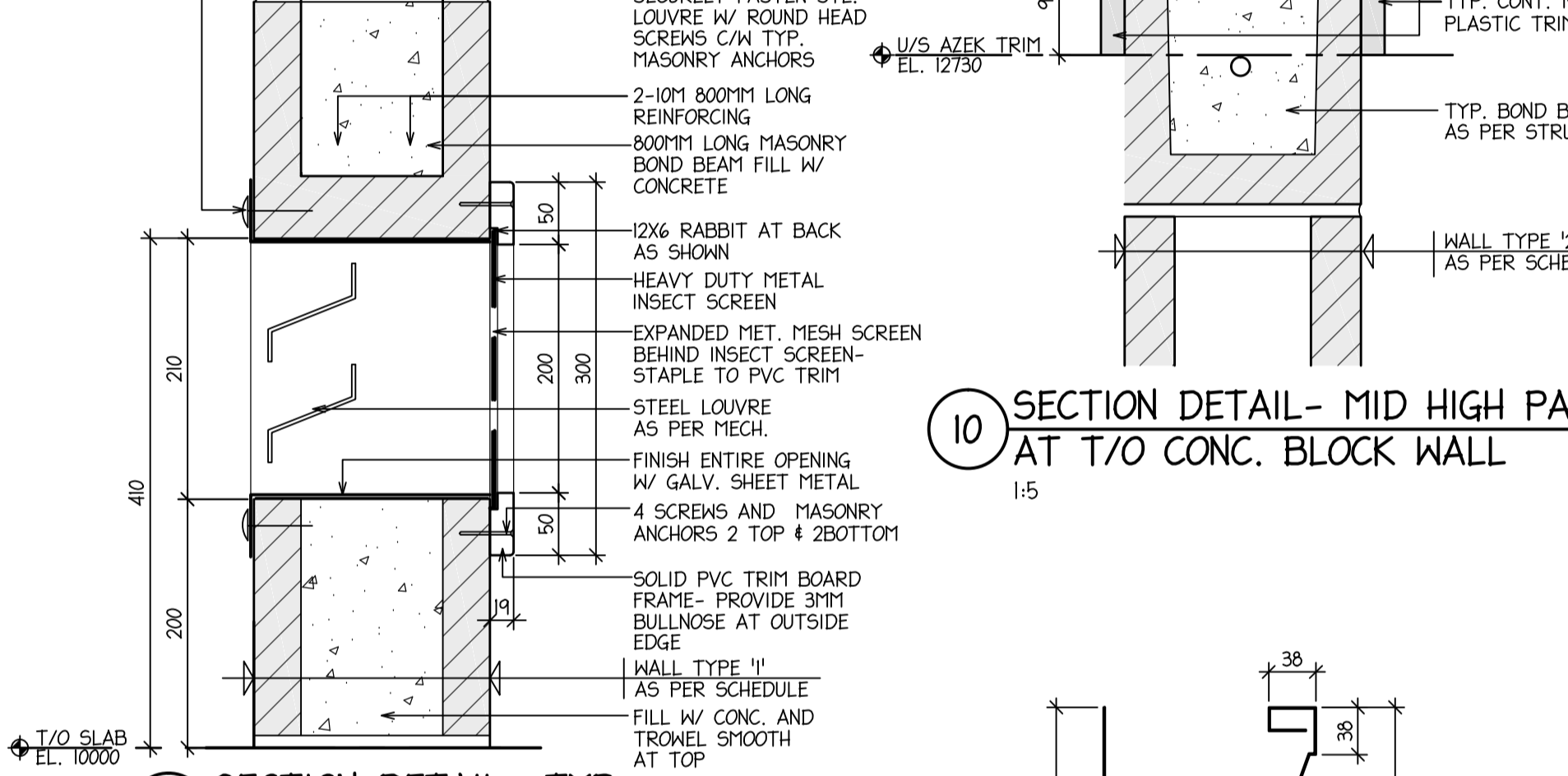
3 JAMB DETAIL- TYP. AT INTERIOR DOOR
1:5



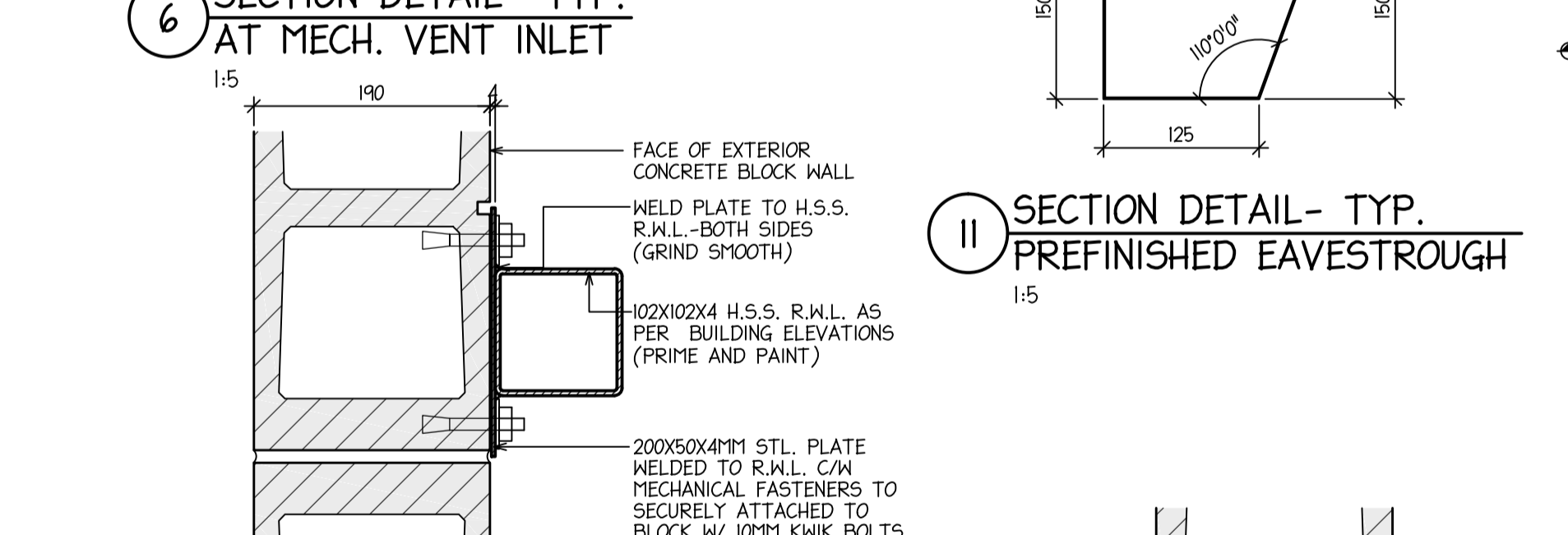
4 JAMB DETAIL- TYP. AT P.S.F./INSECT SCREEN
1:5



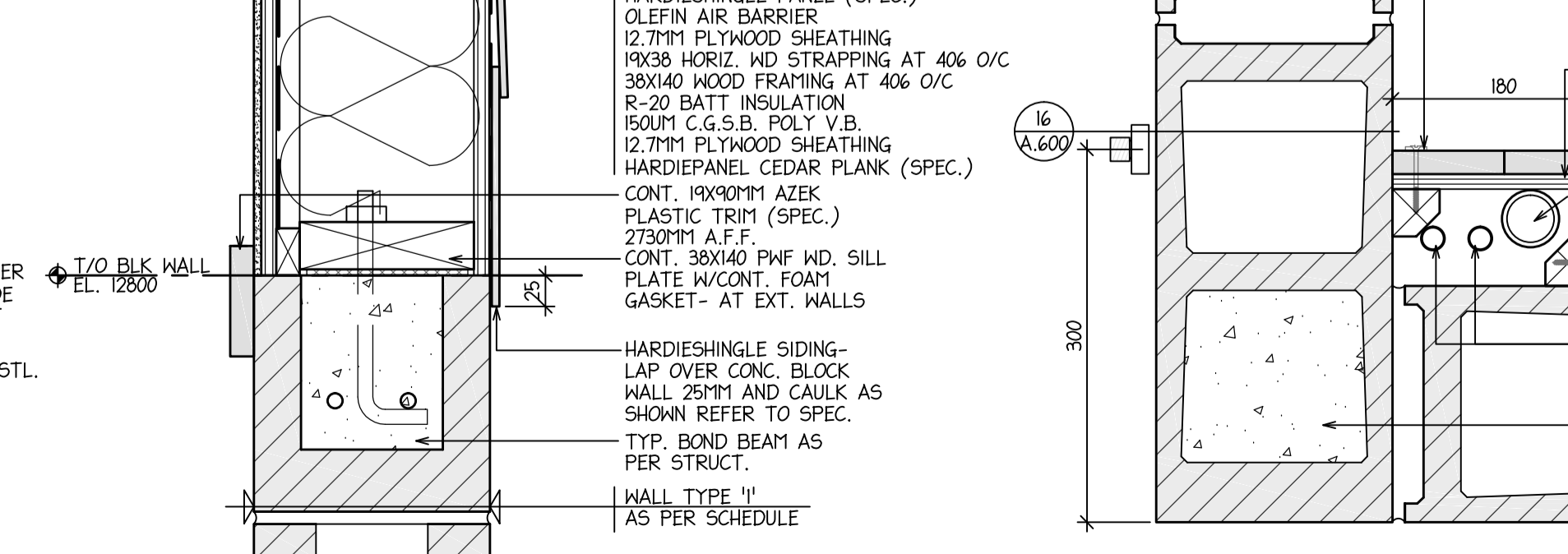
5 SECTION DETAIL- TYP. AT P.S.F./INSECT SCREEN
1:5



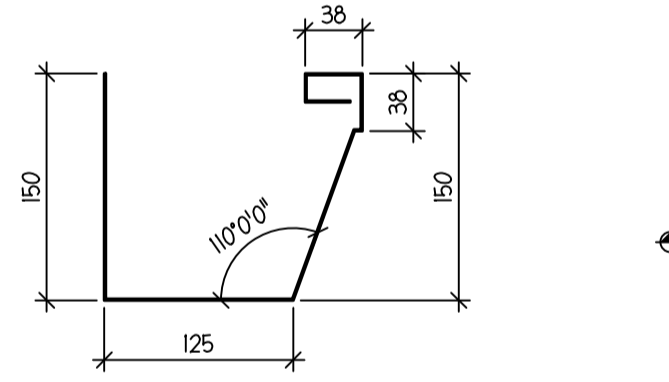
10 SECTION DETAIL- MID HIGH PARTITION AT T/O CONC. BLOCK WALL
1:5



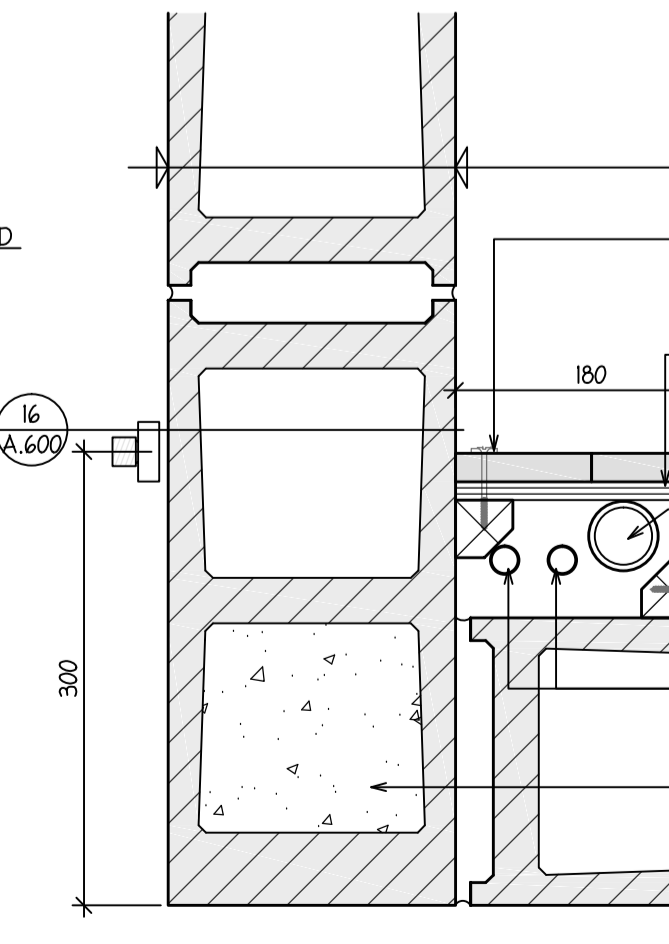
6 SECTION DETAIL- TYP. AT MECH. VENT INLET
1:5



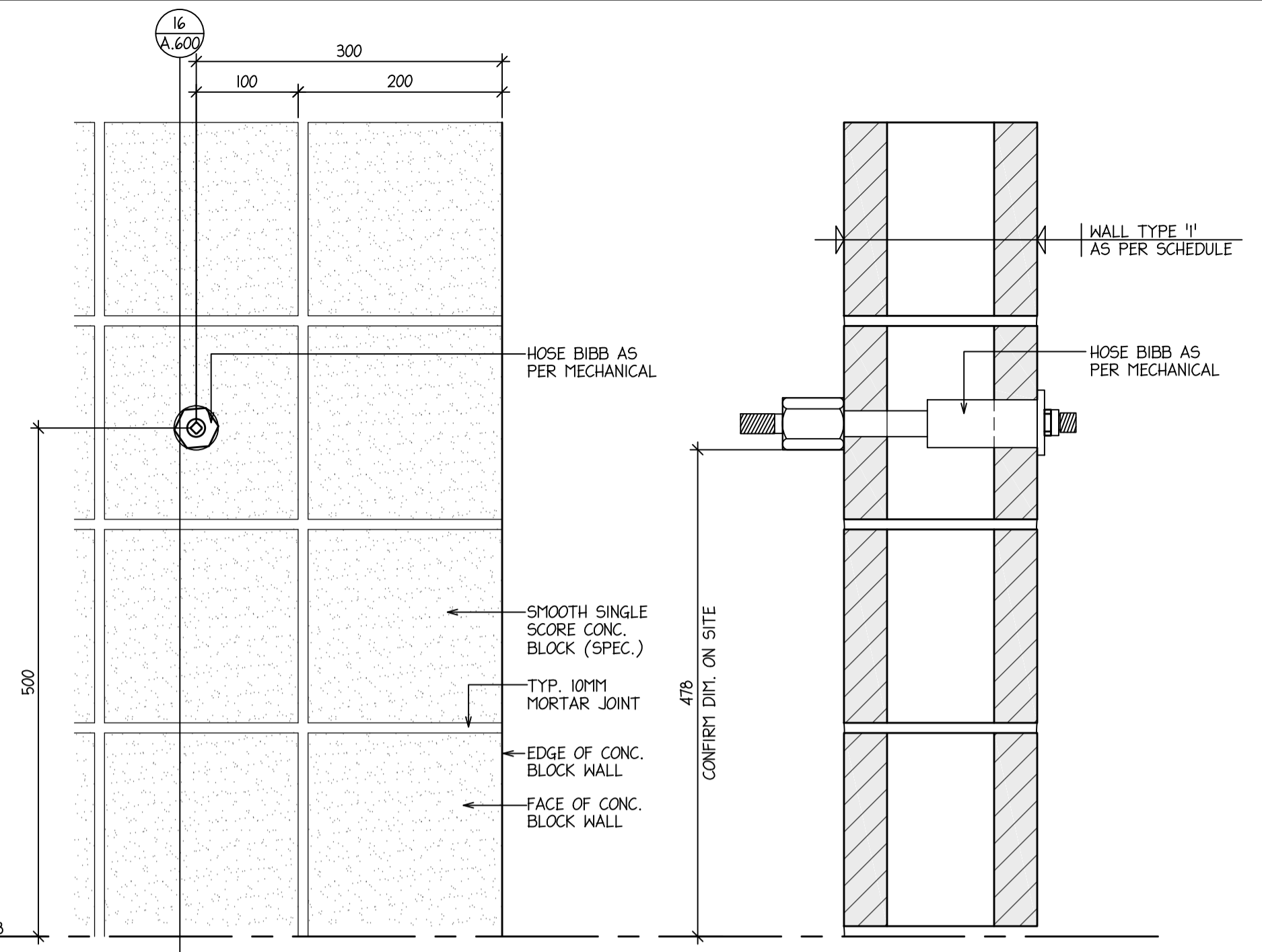
8 SECTION DETAIL- GABLE WALL T/O CONC. WALL/SIDING
1:5



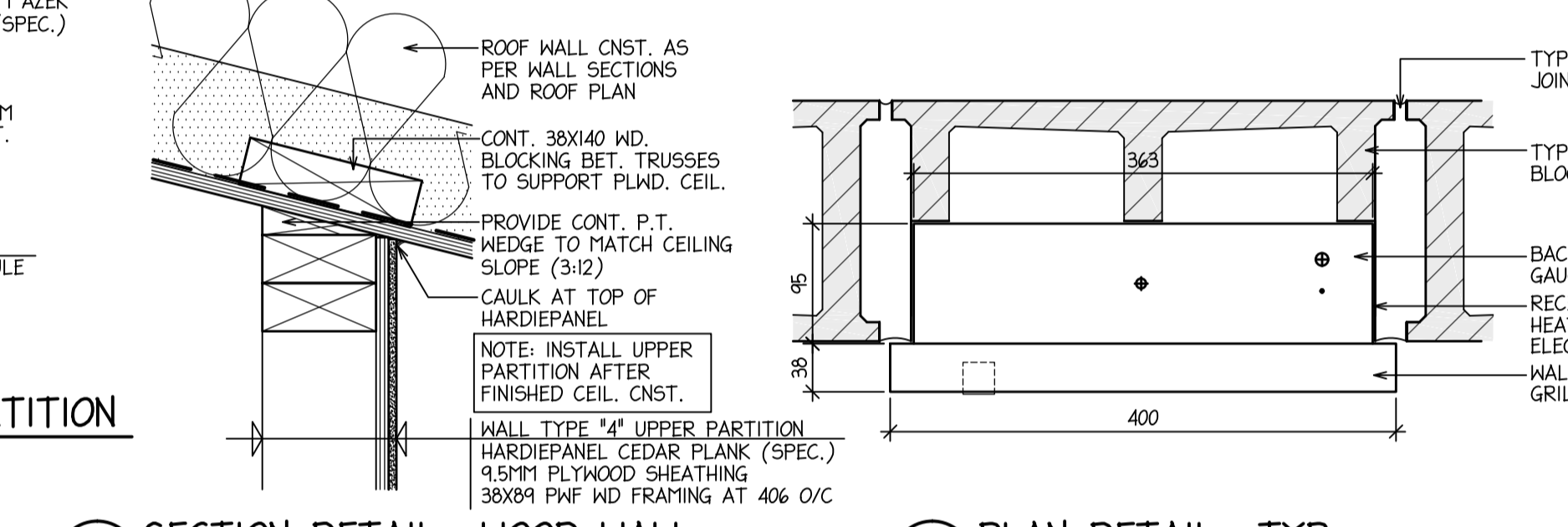
11 SECTION DETAIL- TYP. PREFINISHED EAVESTROUGH
1:5



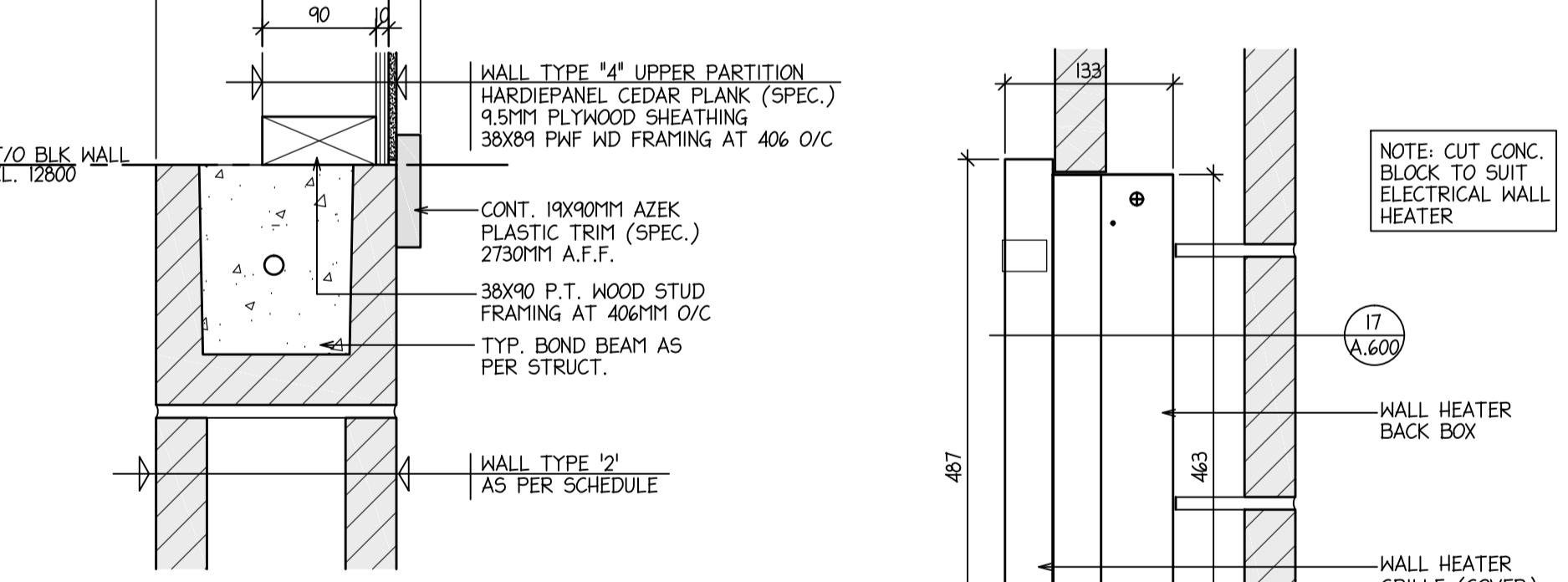
12 PLAN DETAIL- TYP. PIPE CHASE OVER VANITY
1:5



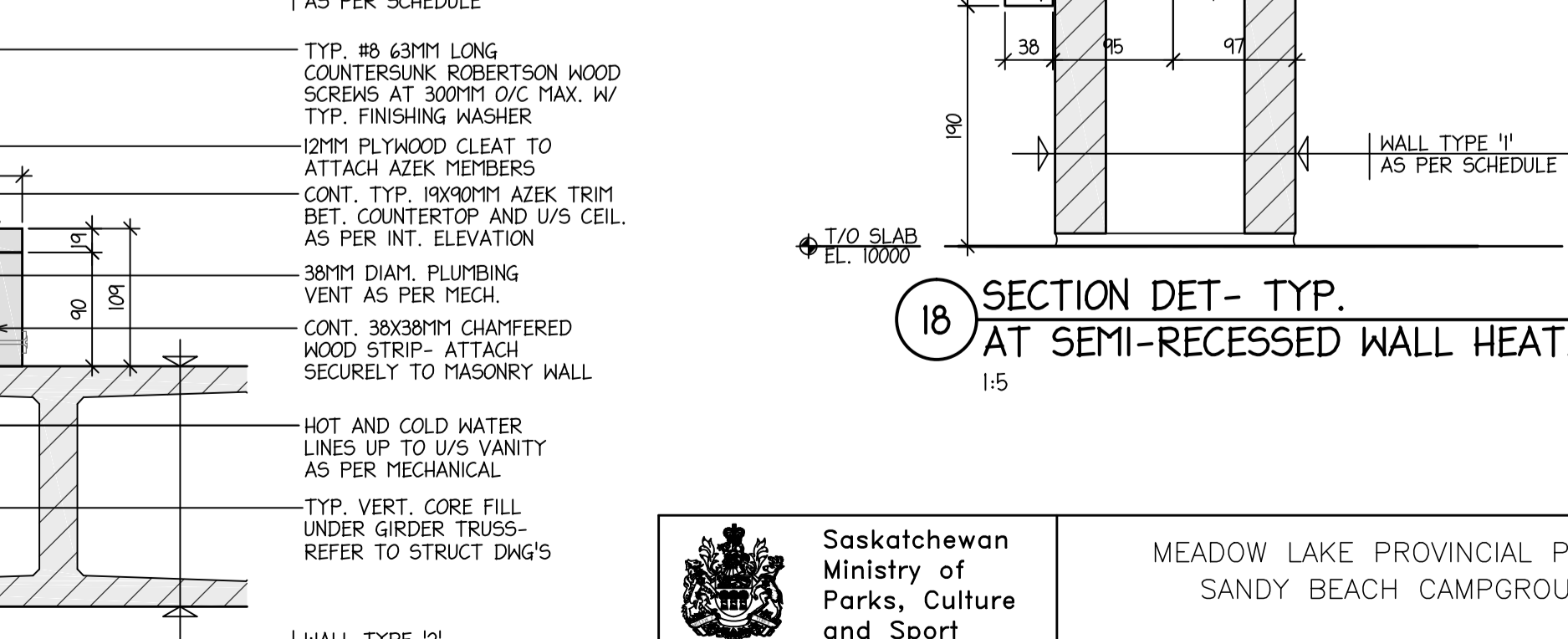
13 ELEVATION DETAIL- TYP. AT HOSE BIBB
1:5



14 SECTION DETAIL- WOOD WALL AT U/S ENG. SCISSOR TRUSS
1:5



15 SECTION DETAIL- INT. WALL AT T/O CONC. BLOCK WALL
1:5



18 SECTION DET- TYP. AT SEMI-RECESSED WALL HEATER
1:5

WALL TYPE SCHEDULE [] WALL TYPE INDICATION

WALL TYPE "1" (EXTERIOR WALL)
200MM CONCRETE BLOCK (SINGLE SCORE W/ SPLIT FACE ACCENT AS PER ELEVATIONS)
C/W BOND BEAMS & LINTELS AS PER STRUCT. DNGS.-RAKED JOINTS AT EXTERIOR AND CONCAVE TOOLED JOINTS AT INTERIOR

[UPPER WALL CONSTRUCTION]
HARDIESHINGLE PANEL AS PER SPEC.
OLEFIN AIR BARRIER
12.7MM PLYWOOD SHEATHING
38x140 WOOD STUD FRAMING AT 406 O/C
R-20 BATT INSULATION
150UM C.G.S.B. POLY VAPOUR BARRIER
12.7MM PLYWOOD SHEATHING
HARDIEPANEL CEDAR PLANK AS PER SPEC.

WALL TYPE "2" (INTERIOR BLOCK PARTITION)
200MM CONCRETE BLOCK (SMOOTH)
C/W BOND BEAMS AND LINTELS AS PER STRUCT. - CONCAVE TOOLED JOINTS B.S

WALL TYPE "3" (INTERIOR PARTITION)
HARDIEPANEL CEDAR PLANK AS PER SPEC. (ABOVE GELCOAT SHOWER)
9.5MM PLYWOOD SHEATHING (FULL HEIGHT)
38x89 PWF WOOD STUDS AT 406MM O/C

WALL TYPE "4" (TILED SHOWER)
HARDIEPANEL CEDAR PLANK AS PER SPEC. (ABOVE SHOWER CERAMIC TILE LAYOUT)
CERAMIC TILE AND GROUT AS PER SPEC.
12.7MM PLYWOOD SHEATHING
38x89 PWF WOOD STUDS AT 406MM O/C

ISSUED FOR TENDER/CONSTRUCTION 19-04-17
ISSUED FOR FINAL REVIEW 29-04-16
ISSUED FOR REVIEW 31-03-16

NOTES:

- THIS PLAN WAS PREPARED FOR THE GOVERNMENT'S INTERNAL PURPOSES ONLY. THE GOVERNMENT DOES NOT WARRANT THAT THIS PLAN IS APPROPRIATE FOR ANY OTHER PURPOSE OR LOCATION. NEITHER THE MINISTER NOR THE GOVERNMENT ACCEPTS ANY RESPONSIBILITY FOR ANY LOSSES OR DAMAGES ARISING FROM ANYONE USING THIS PLAN. THE USER MUST ENSURE THAT ANYTHING BUILT FROM THIS PLAN IS ADEQUATE AND SAFE FOR THE USER'S PARTICULAR SITE CONDITIONS. THIS SHALL INCLUDE, BUT SHALL NOT BE LIMITED TO, ALL FOUNDATION, STRUCTURAL, SAFETY, AND ANY OTHER APPLICABLE REQUIREMENTS. THE USER SHALL ALSO ENSURE THAT THIS PLAN WILL SUIT THE PARTICULAR SITE AND COMPLY WITH ANY OTHER RELEVANT FEDERAL, PROVINCIAL OR MUNICIPAL REGULATIONS AND CODES WHICH MAY APPLY AT THE USER'S SITE.
- THE LOCATION OF THE UNDERGROUND SERVICES AS SHOWN IS APPROXIMATE ONLY. OTHER UNKNOWN SERVICES MAY EXIST IN THE VICINITY. PLEASE CHECK WITH THE APPROPRIATE UTILITY COMPANY AND THE PARK/SITE MAINTENANCE SUPERVISOR OR REPRESENTATIVE.
- IT IS THE RESPONSIBILITY OF ANYONE USING THIS PLAN FOR DESIGN PURPOSES TO VERIFY ALL INFORMATION SHOWN ON THIS PLAN. IT IS THE USER'S RESPONSIBILITY TO IDENTIFY ANY UTILITY INFRASTRUCTURE.

MAURICE SOULODRE ARCHITECT LTD
1815C LORNE AVE
SASKATOON, SK S7H 1Y5
TEL (306) 955-0333
FAX (306) 955-0549
EMAIL soularch@csasktel.net

PROJECT
SERVICE CENTRE REPLACEMENT
MEADOW LAKE PROVINCIAL PARK
SANDY BEACH CAMPGROUND
MINISTRY OF PARKS, CULTURE AND SPORT
PARKS SERVICE BRANCH
2nd FLOOR 3211 ALBERT STREET
REGINA, SASKATCHEWAN
S4S 5W6

DRAWING
DETAILS

SCALE: AS SHOWN
PLOTTED: 19-04-2017
FILE: 3556C
DATE: APRIL 19 2017
DESIGN: MS
DRAWN: DU

DRAWING NO. **A.600**

Saskatchewan Ministry of Parks, Culture and Sport
MEADOW LAKE PROVINCIAL PARK SANDY BEACH CAMPGROUND
SERVICE CENTRE REPLACEMENT DETAILS
PLAN NO. SHEET 2 OF 24
1008-30-F22-15C