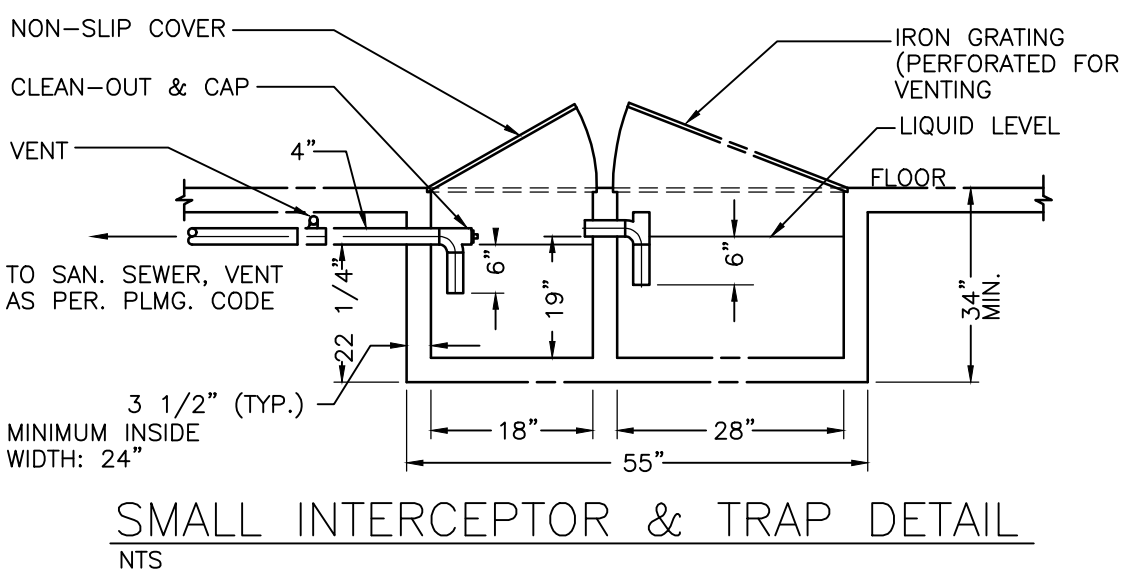


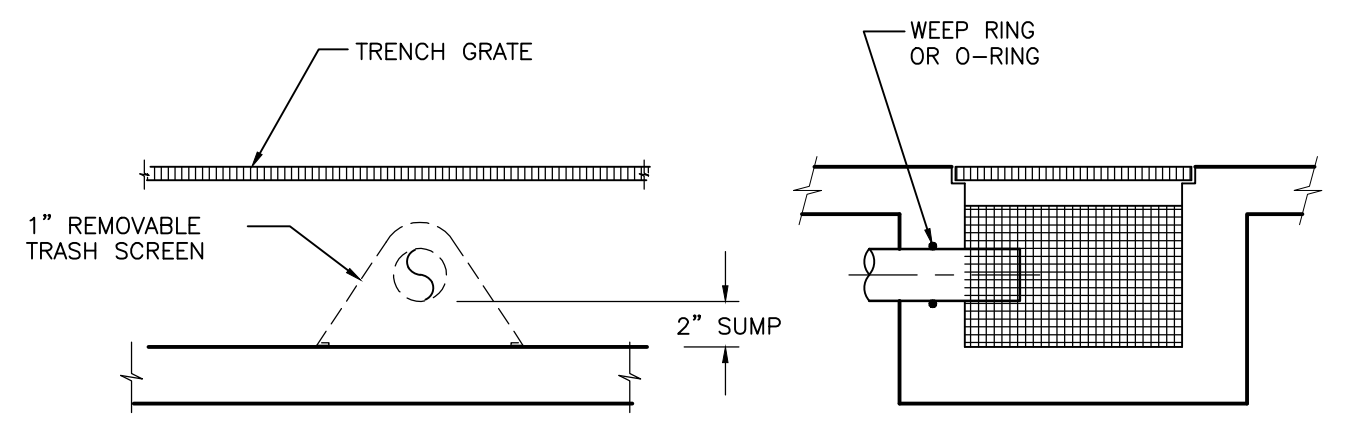
1 MAIN FLOOR PLAN
1/8" = 1'-0"

| INDIVIDUAL FIXTURE | SANITARY DRAIN SIZE (IN) | DOMESTIC COLD W. (IN) | DOMESTIC HOT W. (IN) |
|-----------------------|--------------------------|-----------------------|----------------------|
| LAVATORY | L | 1 1/2" | 1 1/2" |
| WATER CLOSET | WC | 3" | 1 1/2" |
| STAINLESS STEEL SINK | SS | 1 1/2" | 1 1/2" |
| FLOOR DRAIN | FD | 3" | - |
| JANITOR SINK | JS | 2" | 3/4" |
| DOMESTIC WATER HEATER | WH | - | 1" |

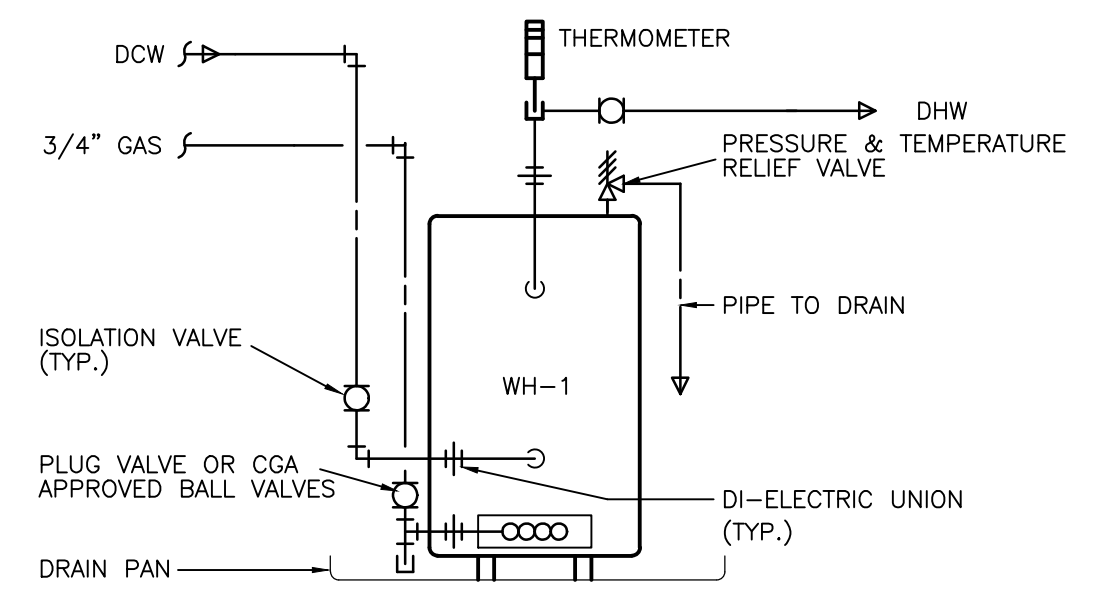
- FIRE EXTINGUISHERS**
- FX-1: WILSON & COUSINS DRY CHEMICAL MULTIPURPOSE POWDER, MODEL ABC-050E, 3A-10BC, 5 LB, c/w MODEL E-10SR FULLY RECESSED CABINET OR WALL MOUNTING BRACKET.
 - FX-2: WILSON & COUSINS DRY CHEMICAL MULTIPURPOSE POWDER, MODEL ABC-10G, 4A-60BC, 10 LB, c/w MODEL E-10SR RECESSED CABINET OR WALL MOUNTING BRACKET.
 - FIRE EXTINGUISHERS IN FINISHED WALLS SHALL BE COMPLETE WITH CABINET SHOWN THUS. ☉
 - FIRE EXTINGUISHERS WITHOUT CABINETS SHOWN THUS. ☉



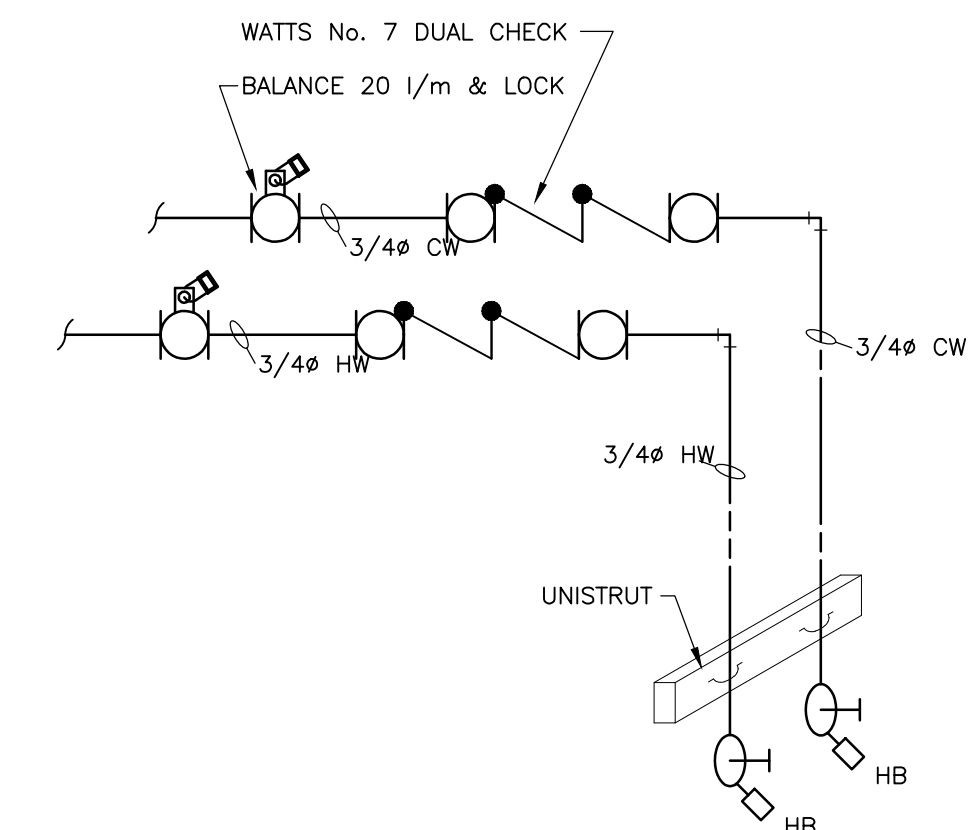
SMALL INTERCEPTOR & TRAP DETAIL
NTS



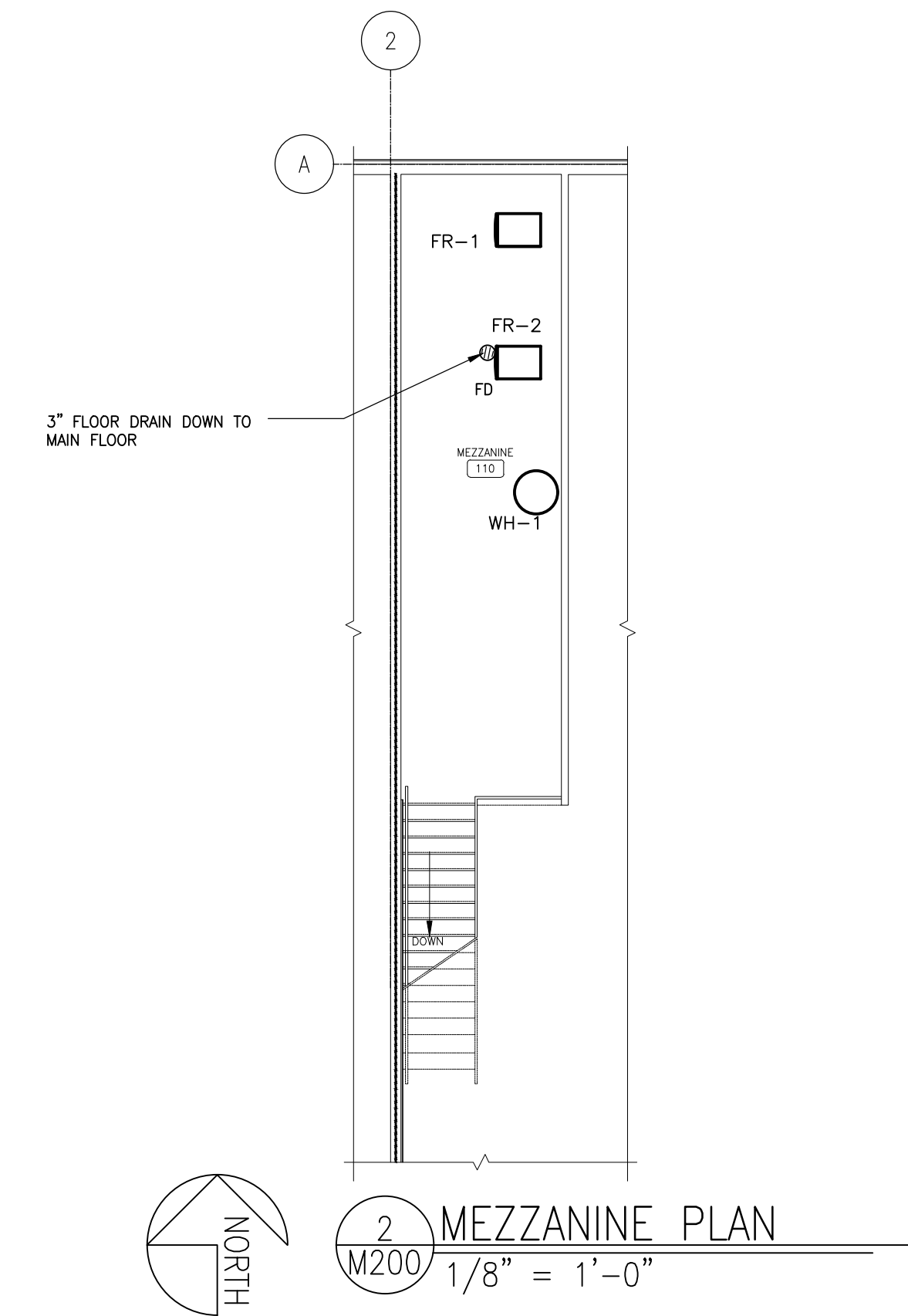
TRENCH DRAIN DETAIL
NTS



WATER HEATER PIPING SCHEMATIC
NTS



RECYCLING CENTRE 108 WASH HOSE BIBBS
NTS



2 MEZZANINE PLAN
1/8" = 1'-0"

2017-01-23 ISSUED FOR TENDER
2016-11-29 ISSUED FOR CLIENT REVIEW

| | |
|--------|---------|
| SEALS: | |
| | 245-172 |

CLIENT:
TOWN OF WYNYARD

CONSULTANTS:
KEY WEST ENGINEERING LTD.
477 - 1ST AVENUE NORTH
SASKATOON, SASKATCHEWAN
CANADA S7K-1X5
PH: (306) 652-7772 FX: (306) 664-1906
E-MAIL: keywest.eng@shaw.ca

R B M
architecture
2216 Spens Avenue email: rfm@rbrmarchitects.ca *704-1101-101 Street
Saskatoon, SK fax: 306-242-9130 North Battleford, SK
ph: 306-242-2536 ph: 306-441-4208

PROJECT:
WYNYARD RECYCLING DEPOT

DRAWING:
MECHANICAL FLOOR PLANS PLUMBING

| | | |
|--------------------|-----------|-------------|
| PROJECT No: 751-16 | SHEET No: | PLOT No: |
| DATE: DEC. 2016 | | |
| DRAWN BY: S.A. | | M200 |
| SCALE: AS NOTED | | |