

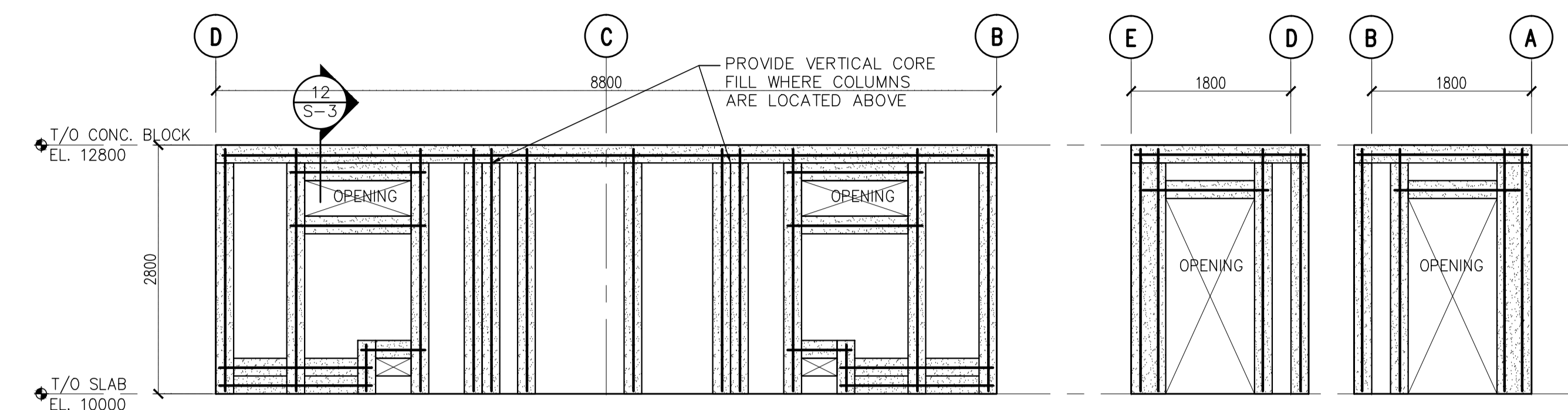
NOTES:
 1. THIS PLAN WAS PREPARED FOR THE GOVERNMENT'S INTERNAL PURPOSES ONLY. THE GOVERNMENT DOES NOT WARRANT THAT THIS PLAN IS APPROPRIATE FOR ANY OTHER PURPOSE OR LOCATION. NEITHER THE MINISTER NOR THE GOVERNMENT ACCEPTS ANY RESPONSIBILITY FOR ANY LOSSES OR DAMAGES ARISING FROM ANYONE USING THIS PLAN. THE USER MUST ENSURE THAT ANYTHING BUILT FROM THIS PLAN IS ADEQUATE AND SAFE FOR THE USER'S PARTICULAR SITE CONDITIONS. THIS SHALL INCLUDE, BUT SHALL NOT BE LIMITED TO, ALL FOUNDATION, STRUCTURAL, SAFETY, AND ANY OTHER APPLICABLE REQUIREMENTS.
 2. THE USER SHALL ALSO ENSURE THAT THIS PLAN WILL SUIT THE PARTICULAR SITE AND COMPLY WITH ANY OTHER RELEVANT FEDERAL, PROVINCIAL OR MUNICIPAL REGULATIONS AND CODES WHICH MAY APPLY AT THE USER'S SITE.
 3. THE LOCATION OF THE UNDERGROUND SERVICES AS SHOWN IS APPROXIMATE ONLY. OTHER UNKNOWN SERVICES MAY EXIST IN THE VICINITY. PLEASE CHECK WITH THE APPROPRIATE UTILITY COMPANY AND THE PARK/SITE MAINTENANCE SUPERVISOR OR REPRESENTATIVE.
 4. IT IS THE RESPONSIBILITY OF ANYONE USING THIS PLAN FOR DESIGN PURPOSES TO VERIFY ALL INFORMATION SHOWN ON THIS PLAN. IT IS THE USER'S RESPONSIBILITY TO IDENTIFY ANY UTILITY INFRASTRUCTURE.

MAURICE SOULODRE
 ARCHITECT LTD
 1815C LORNE AVE
 SASKATOON, SK S7H 1Y5
 TEL (306) 955-0333
 FAX (306) 955-0549
 EMAIL soulodrch@sasktel.net

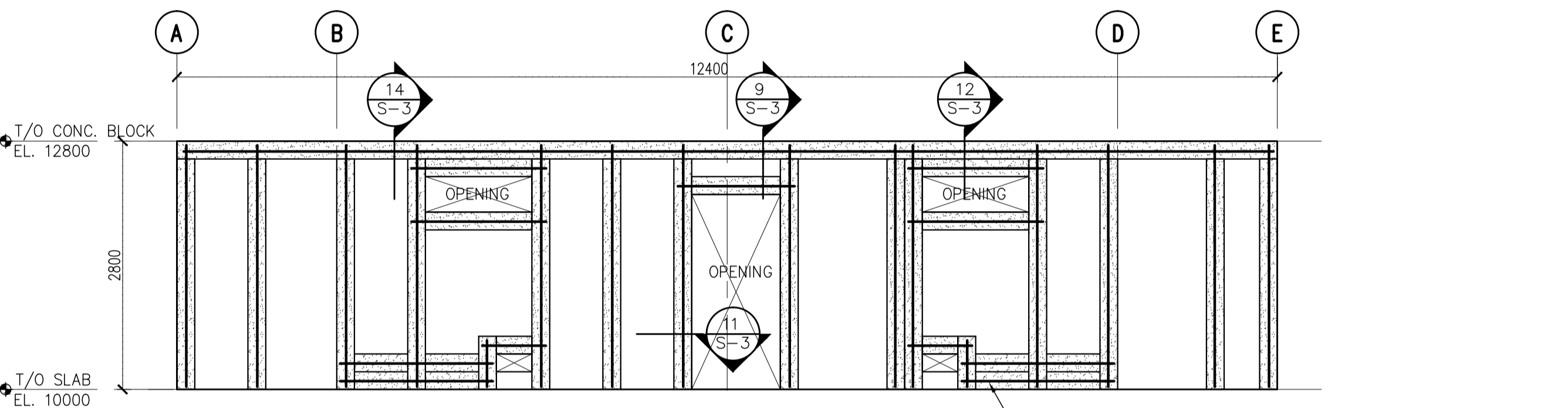
PROJECT
 SERVICE CENTRE REPLACEMENT
MEADOW LAKE PROVINCIAL PARK
SANDY BEACH CAMPGROUND
 MINISTRY OF PARKS, CULTURE AND SPORT
 PARKS SERVICE BRANCH
 2nd FLOOR 3211 ALBERT STREET
 REGINA, SASKATCHEWAN
 S4S 5W6
 DRAWING
 CONCRETE BLOCK WALL
 ELEVATION & DETAILS

SCALE AS NOTED A1 SHEET
 PLOT APR. 21, 2017
 FILE 3556C (REM 15-8676)
 DATE APRIL, 2017
 DESIGN D.B.
 DRAWN N.N.

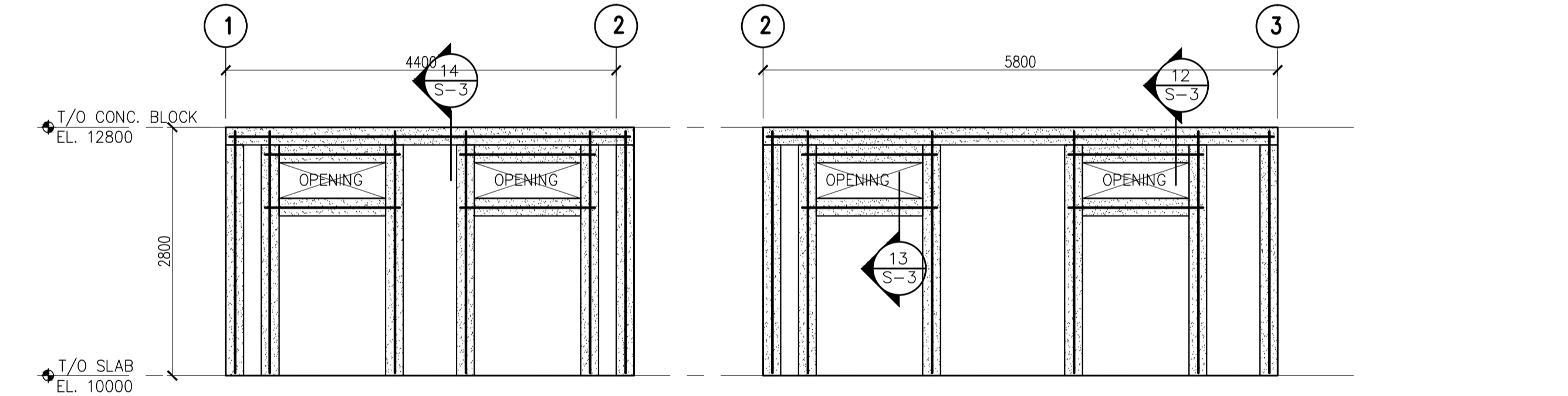
DRAWING NO. S-3



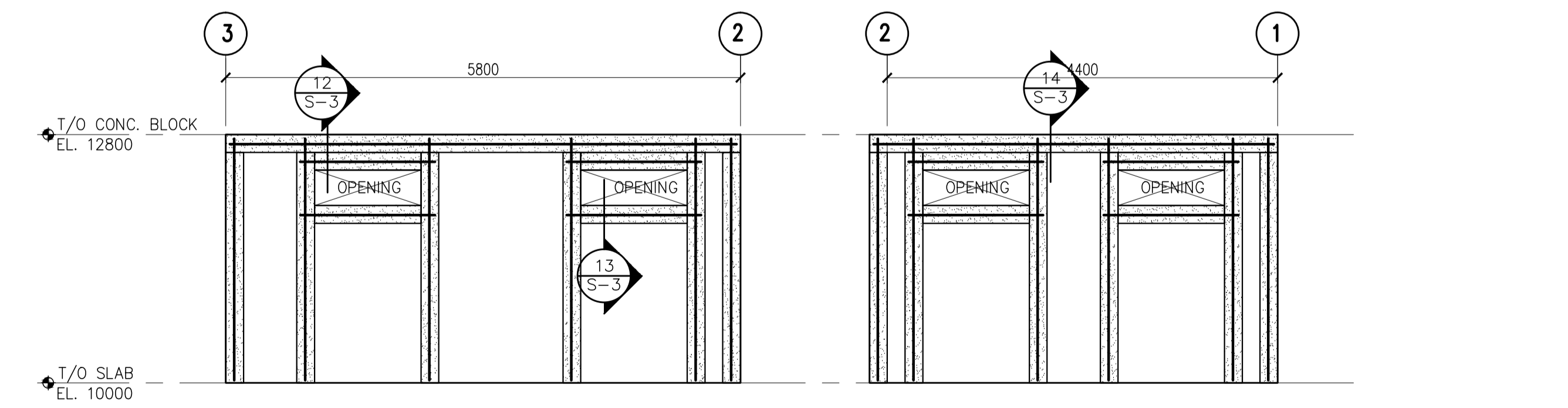
1 NORTH BLOCK WALL ELEVATION ALONG GRID 1 SCALE 1:50
 2 ELEVATION SCALE 1:50
 3 ELEVATION SCALE 1:50



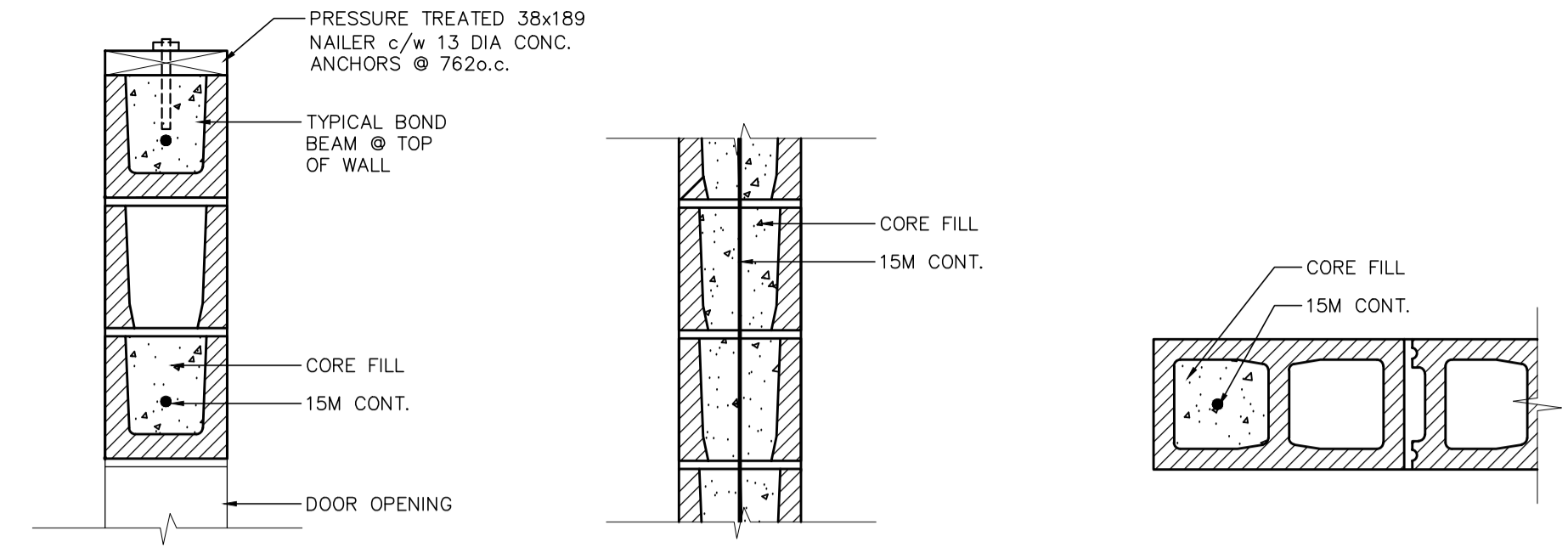
4 SOUTH BLOCK WALL ELEVATION ALONG GRID 3 SCALE 1:50



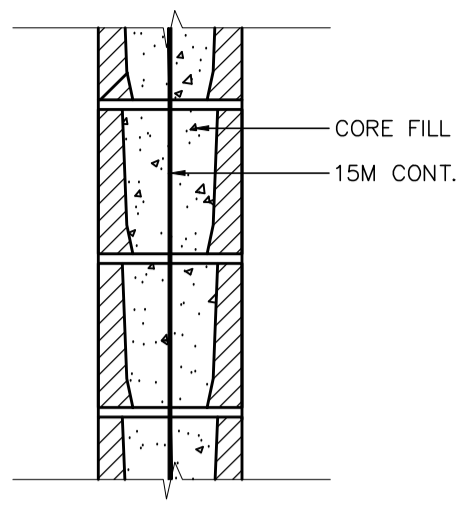
5 WEST ELEVATION ALONG GRID B SCALE 1:50
 6 WEST ELEVATION ALONG GRID A SCALE 1:50



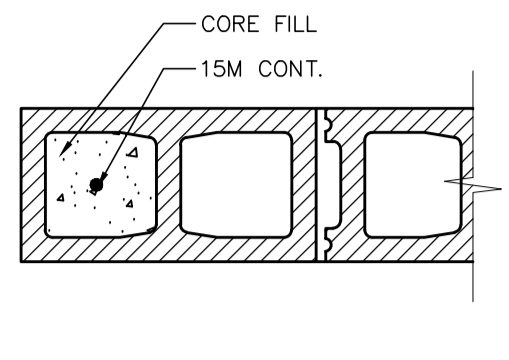
7 EAST ELEVATION ALONG GRID E SCALE 1:50
 8 EAST ELEVATION ALONG GRID D SCALE 1:50



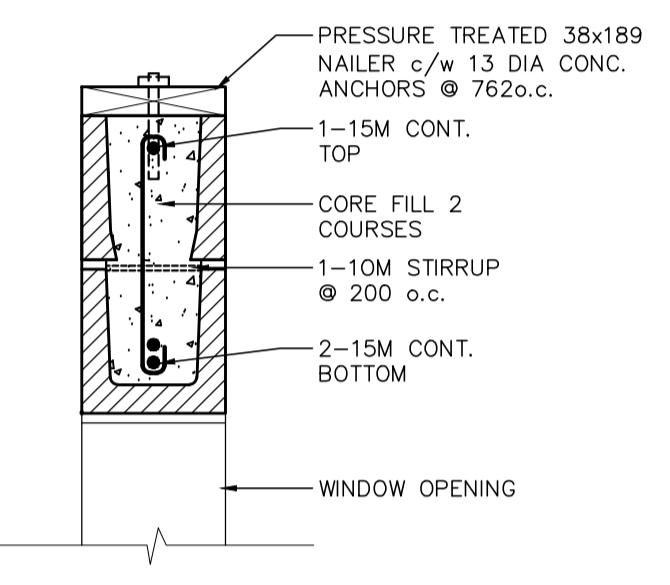
9 TYP. DOOR LINTEL SCALE 1:10



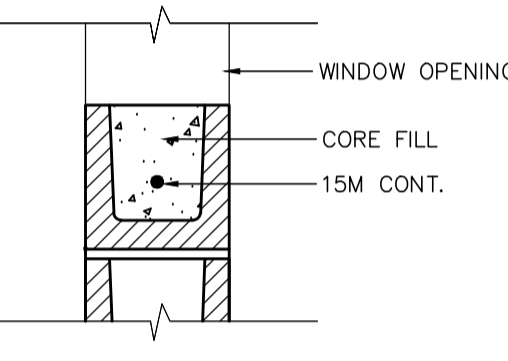
10 TYP. VERTICAL CORE FILL SCALE 1:10



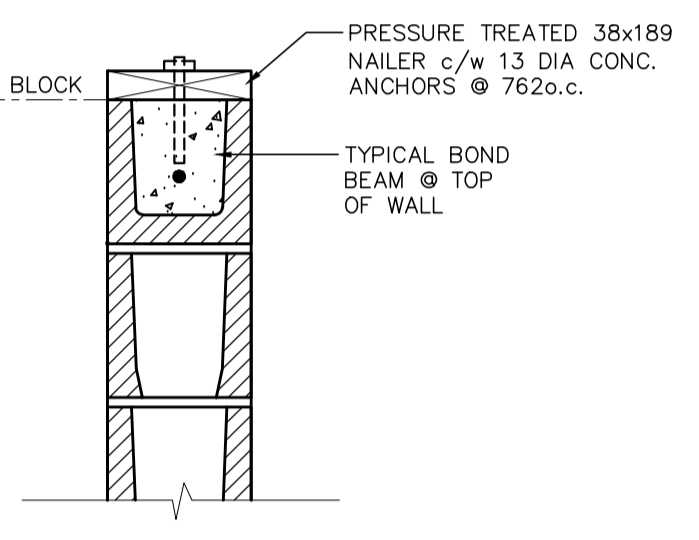
11 TYP. DOOR/WDW JAMB SCALE 1:10



12 TYP. WINDOW LINTEL SCALE 1:10

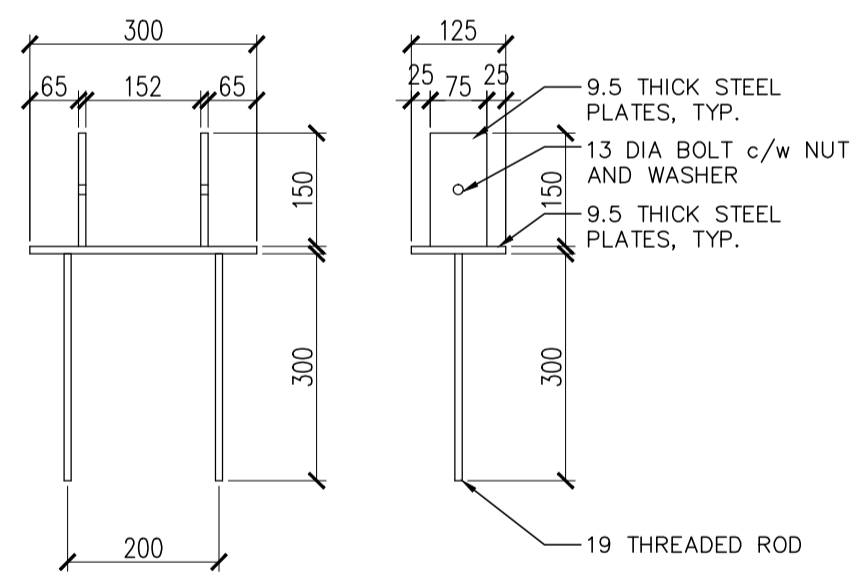


13 TYP. WINDOW SILL SCALE 1:10



14 TYP. TOP BOND BEAM SCALE 1:10

NOTES:
 1. VERTICAL CORE FILL EACH SIDE OF ALL DOOR & WINDOW OPENINGS AND @ 1200 o.c. FULL HEIGHT.
 2. EXTEND ALL LINTELS 200 PAST OPENINGS TYP. EACH SIDE.
 3. PROVIDE VERTICAL CORE FILL AT ALL ATTACHMENT TO BLOCK WALL LOCATIONS AND EXTERIOR WALLS. SEE FDM DETAILS ON S-1.
 4. ENSURE DOWELS FROM SLAB TO BLOCK WALL ARE PROVIDED ON ALL INTERIOR AND EXTERIOR WALLS. SEE FDM DETAILS ON S-1.
 5. COORDINATE ALL OPENINGS WITH ARCHITECTURAL DRAWINGS.
 6. VERTICAL CORE FILL AT EACH BEAM LOCATION.



15 TYP. BEAM SEAT CONNECTION DETAIL SCALE 1:10